
FnIO G – Series :

GT-2628

GT-2628(8 Points, Source Output Terminal, 24Vdc/2A)

Specification

Table of Contents

[Table of Contents.....2](#)

[History.....3](#)

[1.ENVIRONMENT SPECIFICATION.....4](#)

[2.GT-2628 \(8 Channels Source Output Terminal\).....5](#)

[2.1.GT-2628 Specification5](#)

[2.2.GT-2628 Wiring Diagram.....6](#)

[2.3.GT-2628 LED Indicator.....7](#)

[2.3.1.LED Indicator.....7](#)

[2.3.2.Channel Status LED.....7](#)

[2.3.3.Mapping data into the image table.....8](#)

[2.4.Parameter Data.....8](#)

History

REV.	PAGES	REMARKS	DATE	Editor
Preliminary		Preliminary	Aug 10, 2016	Lee, Jeongmin
1.01	4,5	Shock, Vibration specification changed General specification added(UL)	04.20.2020	JY BAE
1.02	6	Changed Diagram / Signal Description / Channel to Point	Apr 03, 2023	Soyeong, Park

Specification

1. ENVIRONMENT SPECIFICATION

Environmental specification	
Operating Temperature	-40℃~70℃
UL Temperature	-20℃~60℃
Storage Temperature	-40℃~85℃
Relative Humidity	5% ~ 90% non-condensing
Mounting	DIN rail
General specification	
Shock Operating	IEC 60068-2-27 : 2008/15g, 11ms
Vibration Resistance	Based on IEC 60068-2-6 DNVGL-CG-0039 : 2016/6 Vibration Class B, 4g
Industrial Emissions	EN 61000-6-4 : 2007 +A1:2011
Industrial Immunity	EN 61000-6-2 : 2005
Installation Position	Vertical and horizontal installation is available.
Product Certifications	CE, UL

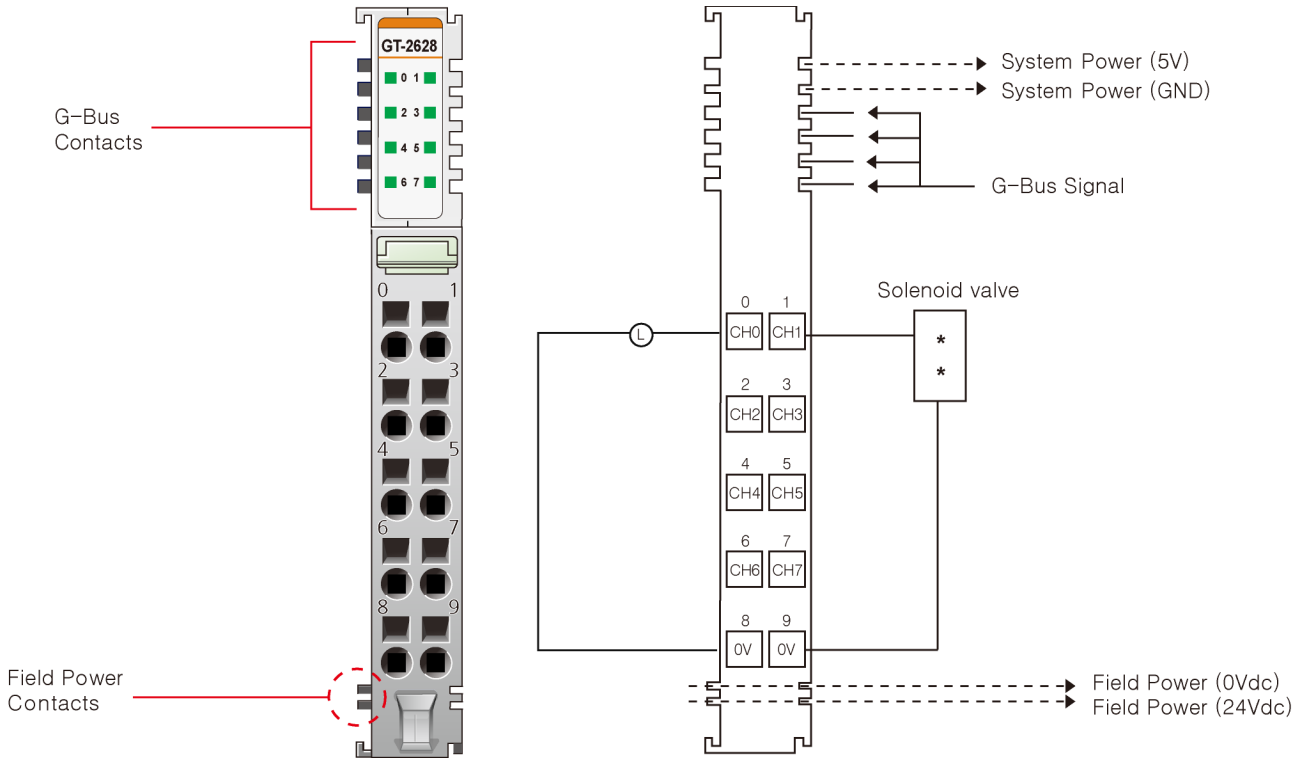
Specification

2. GT-2628 (8 Points Source Output Terminal)

2.1. GT-2628 Specification

Items	Specification
Output specification	
Output per module	8 points source type
Indicators	8 green output state
Output voltage range	24Vdc nominal Min. 15Vdc ~ Max. 30Vdc
On-state voltage drop	0.3Vdc @ 25°C 0.3Vdc @ 70°C
On-state min. current	Max. 1mA
Off-state leakage current	Max. 5uA
Output signal delay	OFF to ON : Max. 0.3ms ON to OFF : Max. 0.3ms
Output current rating	Max. 2A per channel Operating temperature -40°C~50°C : Max. 10A per unit 50°C~60°C : Max. 7A per unit 60°C~70°C : Max. 4.8A per unit
Common type	8 points / 2 COM
General specification	
Power dissipation	Max. 45mA @ 5Vdc
Isolation	I/O to Logic : photocoupler isolation Field power : Non-isolation
UL field power	Supply voltage : 24Vdc nominal, Class 2
Field power	Supply voltage : 24Vdc nominal Voltage range : 15~30Vdc Power dissipation: 10mA @ 24Vdc
Wiring	I/O Cable Max. 2.0mm ² (AWG 14)
Weight	70g
Module size	12mm x 99mm x 70mm
Environment condition	Refer to '1. Environment Specification'

2.2. GT-2628 Wiring Diagram

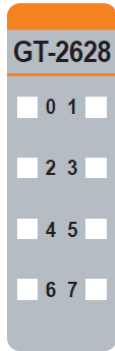


Pin No.	Signal Description	Signal Description	Pin No.
0	Output Channel 0	Output Channel 1	1
2	Output Channel 2	Output Channel 3	3
4	Output Channel 4	Output Channel 5	5
6	Output Channel 6	Output Channel 7	7
8	Common (Field Power 0V)	Common (Field Power 0V)	9

Specification

2.3. GT-2628 LED Indicator

2.3.1. LED Indicator



LED No.	LED Function / Description	LED Color
0	OUTPUT Channel 0	Green
1	OUTPUT Channel 1	Green
2	OUTPUT Channel 2	Green
3	OUTPUT Channel 3	Green
4	OUTPUT Channel 4	Green
5	OUTPUT Channel 5	Green
6	OUTPUT Channel 6	Green
7	OUTPUT Channel 7	Green

2.3.2. Channel Status LED

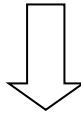
Status	LED	To indicate
Not Signal	Off	Normal Operation
On Signal	Green	Normal Operation

Specification

2.4. Mapping data into the image table

- Output Image Value

Bit No	Bit7	Bit6	Bit5	Bit4	Bit3	Bit2	Bit1	Bit0
Byte0	D7	D6	D5	D4	D3	D2	D1	D0



- Output Module Data

D7	D6	D5	D4	D3	D2	D1	D0
----	----	----	----	----	----	----	----

Specification

2.5. Parameter Data

- Valid Parameter length: 2 Bytes
- Parameter Data

Bit No	Bit7	Bit6	Bit5	Bit4	Bit3	Bit2	Bit1	Bit0
Byte0	Fault Action (ch0~ch7) 0: Fault value, 1:Hold last state							
Byte1	Fault value (ch0~ch7) 0:Off, 1:On							