

---

# **FnIO G – Series :**

## ***GT-2618***

***GT-2618(8 Points, Sink Output Terminal, 24Vdc/2A)***

# Specification

## Table of Contents

<a href="#">Table of Contents.....</a>	<a href="#">2</a>
<a href="#">History.....</a>	<a href="#">3</a>
<a href="#">1.ENVIRONMENT SPECIFICATION.....</a>	<a href="#">4</a>
<a href="#">2.GT-2618 (8 Points Sink Output Terminal).....</a>	<a href="#">5</a>
<a href="#">2.1.GT-2618 Specification .....</a>	<a href="#">5</a>
<a href="#">2.2.GT-2618 Wiring Diagram.....</a>	<a href="#">6</a>
<a href="#">2.3.GT-2618 LED Indicator.....</a>	<a href="#">7</a>
<a href="#">2.3.1.LED Indicator.....</a>	<a href="#">7</a>
<a href="#">2.3.2.Channel Status LED.....</a>	<a href="#">7</a>
<a href="#">2.4.Mapping data into the image table.....</a>	<a href="#">8</a>
<a href="#">2.5.Parameter Data.....</a>	<a href="#">9</a>

# Specification

## History

REV.	PAGES	REMARKS	DATE	Editor
Preliminary		Preliminary	Aug 29, 2016	Lee, Jeongmin
1.01		Change of ON-state voltage drop	Dec 30,2018	Jun, Seokhyun
1.02	4,5	Shock, Vibration specification changed General specification added(UL)	04.20.2020	JY BAE
1.03	6	Changed Diagram / Signal Description / Channel to Point	Apr 03, 2023	Soyeong, Park

# Specification

## 1. ENVIRONMENT SPECIFICATION

<b>Environmental specification</b>	
Operating Temperature	-40°C ~70°C
UL Temperature	-20°C ~60°C
Storage Temperature	-40°C ~85°C
Relative Humidity	5% ~ 90% non-condensing
Mounting	DIN rail
<b>General specification</b>	
Shock Operating	IEC 60068-2-27 : 2008/15g, 11ms
Vibration Resistance	Based on IEC 60068-2-6 DNVGL-CG-0039 : 2016/6 Vibration Class B, 4g
Industrial Emissions	EN 61000-6-4 : 2007 +A1:2011
Industrial Immunity	EN 61000-6-2 : 2005
Installation Position	Vertical and horizontal installation is available.
Product Certifications	CE, UL

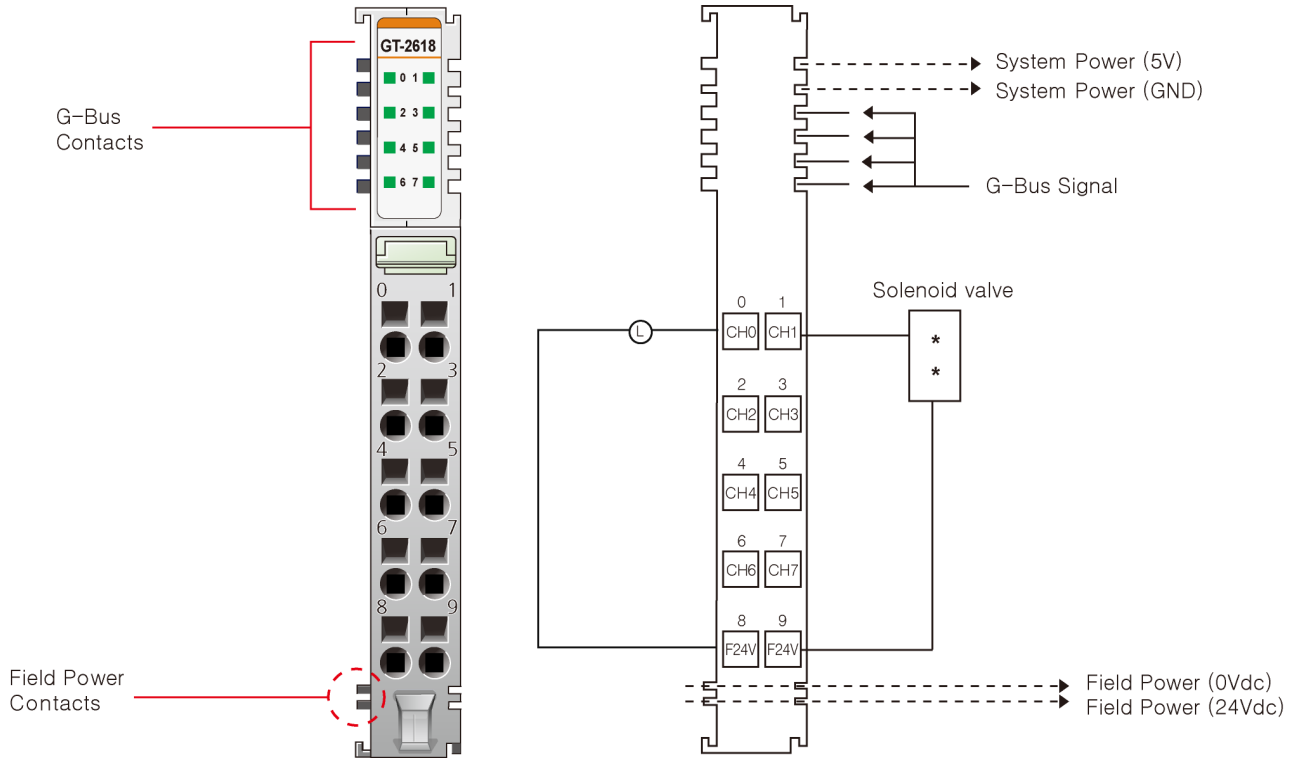
# Specification

## 2. GT-2618 (8 Points Sink Output Terminal)

### 2.1. GT-2618 Specification

Items	Specification
<b>Output specification</b>	
Output per module	8 points sink type
Indicators	8 green output state
Output voltage range	24Vdc nominal 15Vdc ~ 30Vdc @70°C
On-state voltage drop	0.3Vdc @ 25°C 0.3Vdc @ 70°C
On-State min. current	Min. 1mA
Off-State leakage current	Max. 5uA
Output signal delay	OFF to ON : 0.3ms ON to OFF : 0.5ms
Output current rating	Max. 2A per channel  Operating temperature -40°C~50°C : Max. 10A per unit 50°C~60°C : Max. 7A per unit 60°C~70°C : Max. 4.8A per unit
Common type	8 points / 2 COM
<b>General specification</b>	
Power dissipation	Max. 50mA @ 5Vdc
Isolation	I/O to Logic : photocoupler isolation Field power : non-isolation
UL field power	Supply voltage : 24Vdc nominal, Class 2
Field power	Supply voltage : 24Vdc nominal Voltage range : 15~30Vdc Power dissipation: 30mA @ 24Vdc
Wiring	I/O Cable Max. 2.0mm <sup>2</sup> (AWG 14)
Weight	70g
Module size	12mm x 99mm x 70mm
<b>Environment condition</b>	<b>Refer to '1. Environment Specification'</b>

## 2.2. GT-2618 Wiring Diagram



Pin No.	Signal Description	Signal Description	Pin No.
0	Output Channel 0	Output Channel 1	1
2	Output Channel 2	Output Channel 3	3
4	Output Channel 4	Output Channel 5	5
6	Output Channel 6	Output Channel 7	7
8	Common (Field Power 24V)	Common (Field Power 24V)	9

# Specification

## 2.3. GT-2618 LED Indicator

### 2.3.1. LED Indicator



LED No.	LED Function / Description	LED Color
0	OUTPUT Channel 0	Green
1	OUTPUT Channel 1	Green
2	OUTPUT Channel 2	Green
3	OUTPUT Channel 3	Green
4	OUTPUT Channel 4	Green
5	OUTPUT Channel 5	Green
6	OUTPUT Channel 6	Green
7	OUTPUT Channel 7	Green

### 2.3.2. Channel Status LED

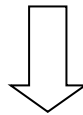
Status	LED	To indicate
Not Signal	Off	Normal Operation
On Signal	Green	Normal Operation

# Specification

## 2.4. Mapping data into the image table

- Output Image Value

Bit No	Bit7	Bit6	Bit5	Bit4	Bit3	Bit2	Bit1	Bit0
Byte0	D7	D6	D5	D4	D3	D2	D1	D0



- Output Module Data

D7	D6	D5	D4	D3	D2	D1	D0
----	----	----	----	----	----	----	----



# Specification

## 2.5. Parameter Data

- Valid Parameter length: 2 Bytes
- Parameter Data

Bit No	Bit7	Bit6	Bit5	Bit4	Bit3	Bit2	Bit1	Bit0
Byte0	Fault Action (ch0~ch7) 0: Fault value, 1:Hold last state							
Byte1	Fault value (ch0~ch7) 0:Off, 1:On							