

FnIO G – Series :

GT-2348

GT-2348(8 Points, Source Output Terminal, 24Vdc/2A)

Specification

Table of Contents

Table of Contents.....2

History.....3

1.ENVIRONMENT SPECIFICATION.....4

2.GT-2348 (16 Points Source Output Terminal).....5

 2.1.GT-2348 Specification.....5

 2.2.GT-2348 Wiring Diagram.....6

 2.2.1.Wiring Guide.....7

 2.3.GT-2348 LED Indicator.....8

 2.3.1.LED Indicator.....8

 2.3.2.Channel Status LED.....8

 2.4.Mapping data into the image table.....9

 2.5.Parameter Data.....9

Specification

History

REV.	PAGES	REMARKS	DATE	Editor
1.00		Draft	May 6, 2022	Joonho, Park
1.01	5	Modify Image	July 15, 2022	CW, SEO
1.02	5	Change Output Delay Time and Leakage current	Sep 30, 2022	CW, SEO
1.03	6	Changed Diagram	Apr 03, 2023	Soyeong, Park

Specification

1. ENVIRONMENT SPECIFICATION

Environmental specification	
Operation Temperature	-40°C ~60°C
UL Temperature	-20°C ~60°C
Storage Temperature	-40°C ~85°C
Relative Humidity	5%~90% Non-condensing
Mounting	DIN Rail
General specification	
Shock Operating	IEC 60068-2-27
Vibration Resistance	Based on IEC 60068-2-6 DNVGL-CG-0039 : Vibration Class B, 4g
Industrial Emissions	EN61000-6-4/All : 2011
Industrial Immunity	EN 61000-6-2 : 2005
Installation Position	Vertical and horizontal installation is available
Product Certifications	CE, UL, FCC

Specification

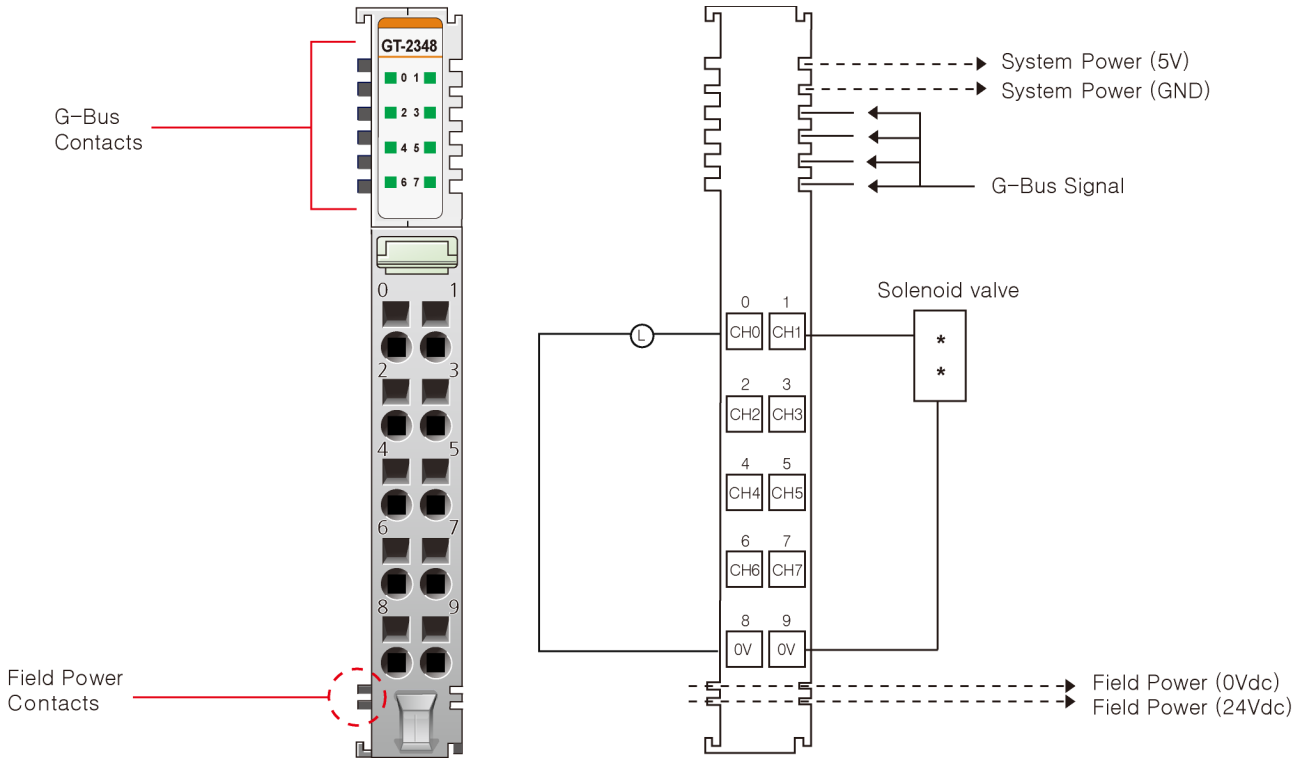
2. GT-2348 (16 Points Source Output Terminal)

2.1. GT-2348 Specification

Items	Specification
Output specification	
Output per module	8 points source type
Indicators	8 green output status
Output voltage range	24Vdc nominal Min. 15Vdc ~ Max. 30Vdc
On-state voltage drop	3.0Vdc @ 2A / 0.5V @ 0.3A
On-state min. current	Min. 1mA
Off-state leakage current	Max. 2uA
Output signal delay	OFF to ON : Max. 0.1ms ON to OFF : Max. 0.9ms
Output current rating	Refer to Specification of NA - GT9xxx: Max. 2A per channel / Max. 10A per unit. - GL9xxx: Max. 2A per channel / Max. 8A per unit.
Protection ⁽¹⁾	None
Common type	8 points / 2 COM
General specification	
Power dissipation	Max. 40mA @ 5Vdc
Isolation	I/O to Logic : photocoupler isolation Field power : non-isolation
UL field power	Supply voltage : 24Vdc nominal, Class 2
Field power	Supply voltage : 24Vdc nominal Voltage range : 15~30Vdc Power dissipation: 10mA @ 24Vdc
Single Wiring	I/O Cable Max. 2.0mm ² (AWG 14)
Weight	57g
Module size	12mm x 99mm x 70mm
Environment condition	Refer to '1. Environment Specification'

(1) Check the 2.2.1 Wiring Guide.

2.2. GT-2348 Wiring Diagram



Pin No.	Signal Description	Signal Description	Pin No.
0	Output Channel 0	Output Channel 1	1
2	Output Channel 2	Output Channel 3	3
4	Output Channel 4	Output Channel 5	5
6	Output Channel 6	Output Channel 7	7
8	Common (Field Power 0V)	Common (Field Power 0V)	9

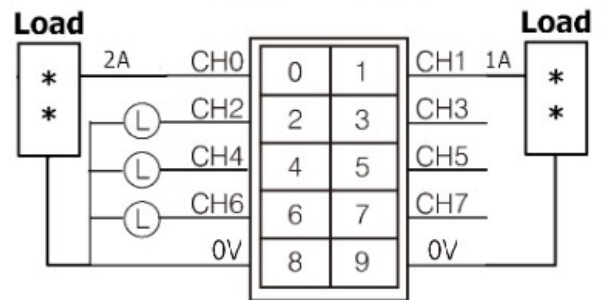
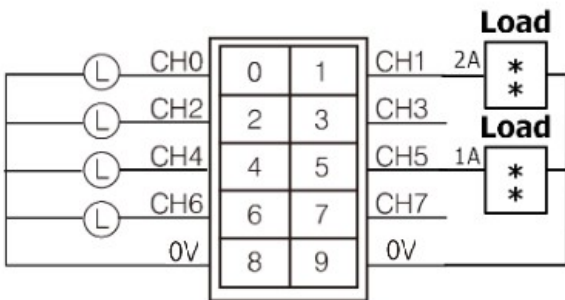
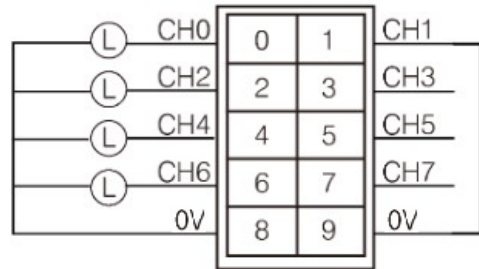
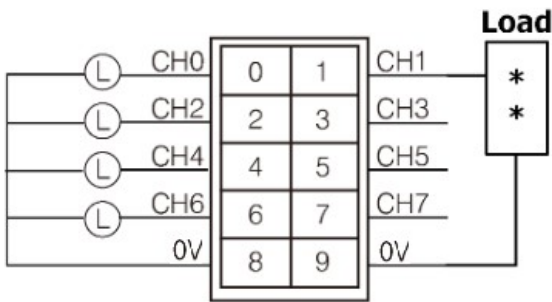
Specification

2.2.1. Wiring Guide

WARNING !

Observe the following instructions for wiring

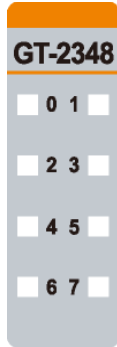
- Observe the maximum output current of the I/O Module. Parts may be damaged.
- Do not connect the input and GND pins without any load. Parts may be damaged.
- If you are using current above 1.0A, Do not use next one channel.



Specification

2.3. GT-2348 LED Indicator

2.3.1. LED Indicator



LED No.	LED Function / Description	LED Color
0	OUTPUT Channel 0	Green
1	OUTPUT Channel 1	Green
2	OUTPUT Channel 2	Green
3	OUTPUT Channel 3	Green
4	OUTPUT Channel 4	Green
5	OUTPUT Channel 5	Green
6	OUTPUT Channel 6	Green
7	OUTPUT Channel 7	Green

2.3.2. Channel Status LED

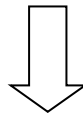
Status	LED	To indicate
Not Signal	Off	Normal Operation
On Signal	Green	Normal Operation

Specification

2.4. Mapping data into the image table

- **Output Image Value**

Bit No	Bit7	Bit6	Bit5	Bit4	Bit3	Bit2	Bit1	Bit0
Byte0	D7	D6	D5	D4	D3	D2	D1	D0



- **Output Module Data**

D7	D6	D5	D4	D3	D2	D1	D0
----	----	----	----	----	----	----	----

2.5. Parameter Data

- Valid Parameter length: 2 Bytes
- Parameter Data

Bit No	Bit7	Bit6	Bit5	Bit4	Bit3	Bit2	Bit1	Bit0
Byte0	Fault Action (ch0~ch7) 0: Fault value, 1:Hold last state							
Byte1	Fault value (ch0~ch7) 0:Off, 1:On							