

FnIO G – Series :

GT-2338

GT-2338(8 Points, Sink Output Terminal, 24Vdc/2A)

Specification

Table of Contents

Table of Contents.....2

History.....3

1.ENVIRONMENT SPECIFICATION.....4

2.GT-2338 (8 Points Sink Output Terminal).....5

 2.1.GT-2338 Specification.....5

 2.2.GT-2338 Wiring Diagram.....6

 2.2.1.Wiring Guide.....7

 2.3.GT-2338 LED Indicator.....8

 2.3.1.LED Indicator.....8

 2.3.2.Channel Status LED.....8

 2.4.Mapping data into the image table.....9

 2.5.Parameter Data.....9

Specification

History

| REV. | PAGES | REMARKS | DATE | Editor |
|------|-------|--|---------------|---------------|
| 1.00 | | Draft | May 04, 2022 | Joonho, Park |
| 1.01 | 7 | Modify Image | July 15, 2022 | CW, SEO |
| 1.02 | 5 | Change Output Delay Time and Leakage current | Sep 30, 2022 | CW, SEO |
| 1.03 | 6 | Changed Diagram | Apr 03, 2023 | Soyeong, Park |
| | | | | |

Specification

1. ENVIRONMENT SPECIFICATION

| Environmental specification | |
|------------------------------------|---|
| Operation Temperature | -40°C ~60°C |
| UL Temperature | -20°C ~60°C |
| Storage Temperature | -40°C ~85°C |
| Relative Humidity | 5%~90% Non-condensing |
| Mounting | DIN Rail |
| General specification | |
| Shock Operating | IEC 60068-2-27 |
| Vibration Resistance | Based on IEC 60068-2-6 DNVGL-CG-0039 : Vibration Class B, 4g |
| Industrial Emissions | EN61000-6-4/All : 2011 |
| Industrial Immunity | EN 61000-6-2 : 2005 |
| Installation Position | Vertical and horizontal installation is available |
| Product Certifications | CE, UL, FCC |

Specification

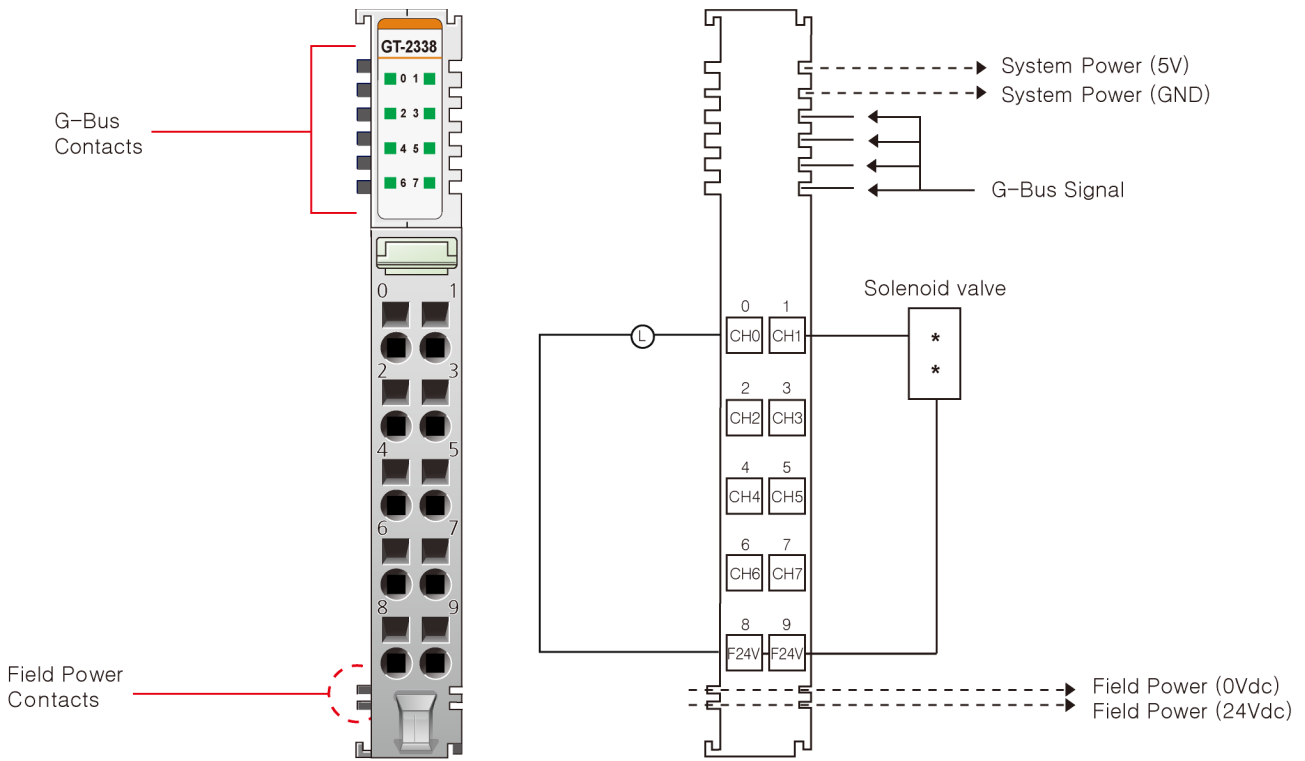
2. GT-2338 (8 Points Sink Output Terminal)

2.1. GT-2338 Specification

| Items | Specification |
|------------------------------|---|
| Output specification | |
| Output per module | 8 points sink type |
| Indicators | 8 green output status |
| Output voltage range | 24Vdc nominal Min. 15Vdc ~ Max. 30Vdc |
| On-state voltage drop | 3.0Vdc @ 2A / 0.5Vdc @ 0.3A |
| On-state min. current | Min. 1mA |
| Off-state leakage current | Max. 2uA |
| Output signal delay | OFF to ON : Max. 0.4ms @ 2A / OFF to ON : Max. 0.2ms @ 0.3A ON to OFF : Max. 0.4ms @ 2A / ON to OFF : Max. 0.4ms @ 0.3A |
| Output current rating | Refer to Specification of NA -GT9xxx: Max. 2.0A per channel / Max. 10A per unit. -GL9xxx: Max. 2.0A per channel / Max. 8A per unit. |
| Protection ⁽¹⁾ | None |
| Common type | 8 points / 2 COM |
| General specification | |
| Power dissipation | Max. 50mA @ 5Vdc |
| Isolation | I/O to Logic : photocoupler isolation Field power : non-isolation |
| UL field power | Supply voltage : 24Vdc nominal, Class 2 |
| Field power | Supply voltage : 24Vdc nominal Voltage range : 15~30Vdc Power dissipation: 10mA @ 24Vdc |
| Single Wiring | I/O Cable Max. 2.0mm ² (AWG 14) |
| Weight | 57g |
| Module size | 12mm x 99mm x 70mm |
| Environment condition | Refer to '1. Environment Specification' |

(1) Check the 2.2.1 Wiring Guide.

2.2. GT-2338 Wiring Diagram



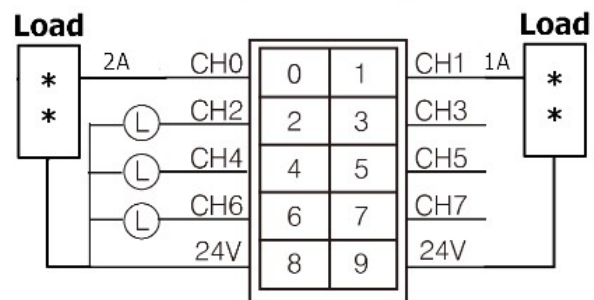
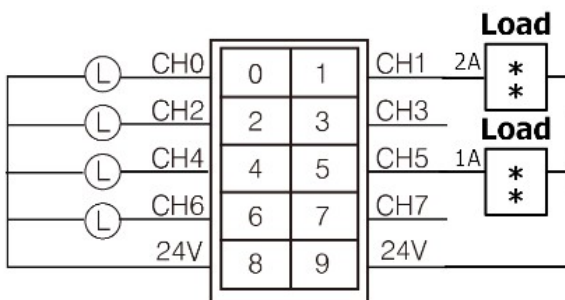
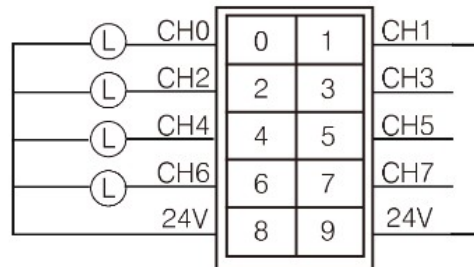
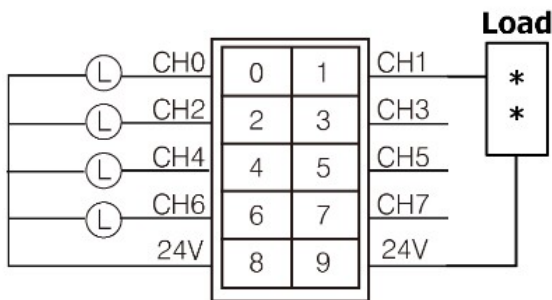
| Pin No. | Signal Description | Signal Description | Pin No. |
|---------|--------------------------|--------------------------|---------|
| 0 | Output Channel 0 | Output Channel 1 | 1 |
| 2 | Output Channel 2 | Output Channel 3 | 3 |
| 4 | Output Channel 4 | Output Channel 5 | 5 |
| 6 | Output Channel 6 | Output Channel 7 | 7 |
| 8 | Common (Field Power 24V) | Common (Field Power 24V) | 9 |

2.2.1. Wiring Guide

WARNING !

Observe the following instructions for wiring

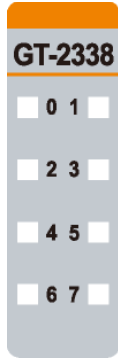
- Observe the maximum output current of the I/O Module. Parts may be damaged.
- Do not connect the input and GND pins without any load. Parts may be damaged.
- If you are using current above 1.0A, Do not use next one channel.



Specification

2.3. GT-2338 LED Indicator

2.3.1. LED Indicator



| LED No. | LED Function / Description | LED Color |
|---------|----------------------------|-----------|
| 0 | OUTPUT Channel 0 | Green |
| 1 | OUTPUT Channel 1 | Green |
| 2 | OUTPUT Channel 2 | Green |
| 3 | OUTPUT Channel 3 | Green |
| 4 | OUTPUT Channel 4 | Green |
| 5 | OUTPUT Channel 5 | Green |
| 6 | OUTPUT Channel 6 | Green |
| 7 | OUTPUT Channel 7 | Green |

2.3.2. Channel Status LED

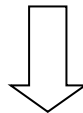
| Status | LED | To indicate |
|------------|-------|------------------|
| Not Signal | Off | Normal Operation |
| On Signal | Green | Normal Operation |

Specification

2.4. Mapping data into the image table

- **Output Image Value**

| Bit No | Bit7 | Bit6 | Bit5 | Bit4 | Bit3 | Bit2 | Bit1 | Bit0 |
|--------|------|------|------|------|------|------|------|------|
| Byte0 | D7 | D6 | D5 | D4 | D3 | D2 | D1 | D0 |



- **Output Module Data**

| | | | | | | | |
|----|----|----|----|----|----|----|----|
| D7 | D6 | D5 | D4 | D3 | D2 | D1 | D0 |
|----|----|----|----|----|----|----|----|

2.5. Parameter Data

- **Valid Parameter length: 2 Bytes**
- **Parameter Data**

| Bit No | Bit7 | Bit6 | Bit5 | Bit4 | Bit3 | Bit2 | Bit1 | Bit0 |
|--------|--|------|------|------|------|------|------|------|
| Byte0 | Fault Action (ch0~ch7) 0: Fault value, 1:Hold last state | | | | | | | |
| Byte1 | Fault value (ch0~ch7) 0:Off, 1:On | | | | | | | |