

FnIO G – Series :

GT-223F

GT-223F(16 Points, Sink Output Terminal, 24Vdc, 0.3A)

Specification

Table of Contents

Table of Contents.....2

History..... 3

1.ENVIRONMENT SPECIFICATION.....4

2.GT-223F (16 Points Sink Output Terminal)..... 5

 2.1.GT-223F Specification..... 5

 2.2.GT-223F Wiring Diagram..... 6

 2.2.1.Wiring Guide..... 7

 2.3.GT-223F LED Indicator..... 8

 2.3.1.LED Indicator..... 8

 2.3.2.Channel Status LED..... 8

 2.4.Mapping data into the image table..... 9

 2.5.Parameter Data..... 10

Specification

History

REV.	PAGES	REMARKS	DATE	Editor
1.00		Draft	May 4, 2022	Joonho, Park
1.01	5	Change Output Delay Time and Leakage current	Sep 30, 2022	CW, SEO
1.02	6	Changed Diagram / Signal Description	Apr 03, 2023	Soyeong, Park

Specification

1. ENVIRONMENT SPECIFICATION

Environmental specification	
Operation Temperature	-40°C ~60°C
UL Temperature	-20°C ~60°C
Storage Temperature	-40°C ~85°C
Relative Humidity	5%~90% Non-condensing
Mounting	DIN Rail
General specification	
Shock Operating	IEC 60068-2-27
Vibration Resistance	Based on IEC 60068-2-6 DNVGL-CG-0039 : Vibration Class B, 4g
Industrial Emissions	EN61000-6-4/All : 2011
Industrial Immunity	EN 61000-6-2 : 2005
Installation Position	Vertical and horizontal installation is available
Product Certifications	CE, UL, FCC

Specification

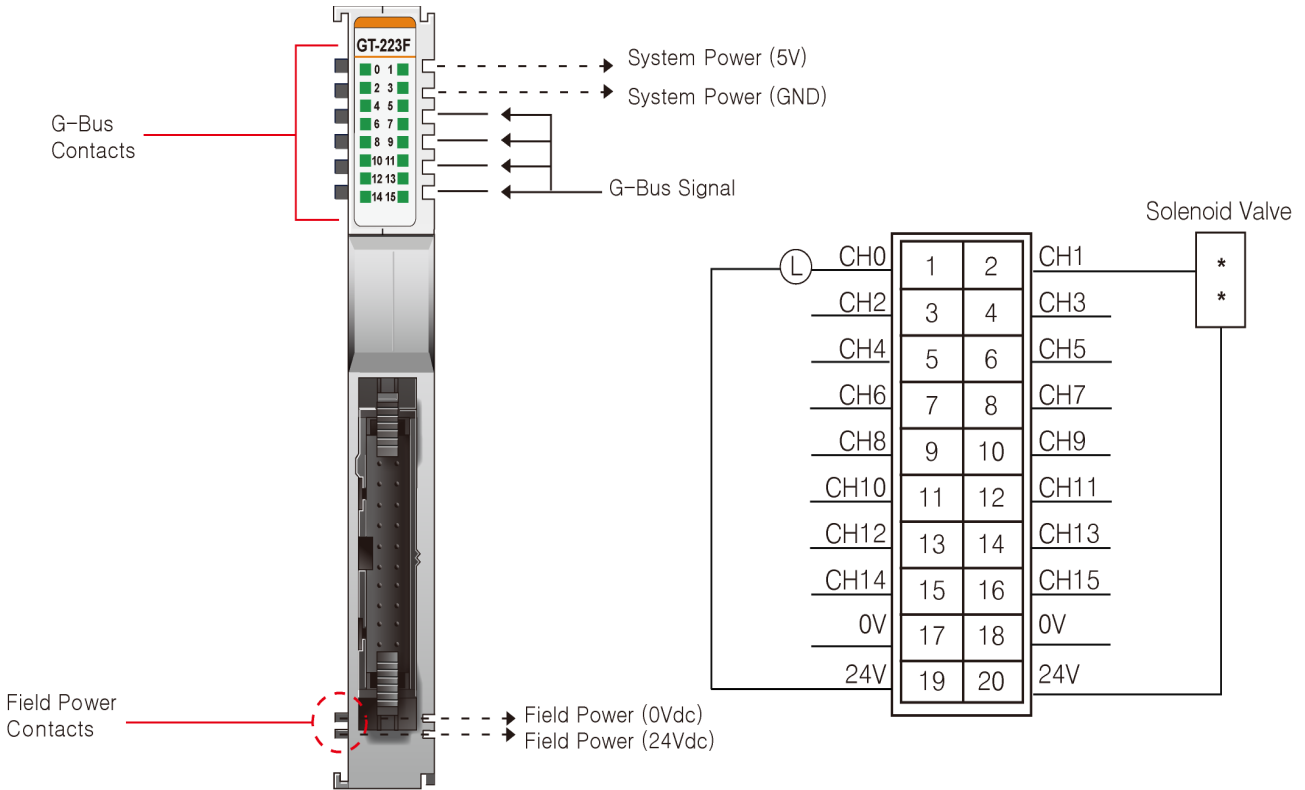
2. GT-223F (16 Points Sink Output Terminal)

2.1. GT-223F Specification

Items	Specification
Input specification	
Output per module	16 points sink type
Indicators	16 green output status
Output voltage range	24Vdc nominal 15Vdc ~ 30Vdc @ 60°C
On-state voltage drop	0.5Vdc @ 0.3A
On-state min. current	Min. 1mA
Off-state leakage current	Max. 2uA
Output signal delay	OFF to ON : Max. 0.2ms ON to OFF : Max. 0.4ms
Output current rating	Max. 0.3A per channel / Max. 4.8A per unit
Protection ⁽¹⁾	None
Common type	16 points / 2 COM(Sink)
General specification	
Power dissipation	Max. 50mA @ 5Vdc
Isolation	I/O to Logic : photocoupler isolation Field power : non-isolation
UL field power	Supply voltage : 24Vdc nominal, Class 2
Field power	Supply voltage : 24Vdc nominal Voltage range : 15~30Vdc Power dissipation: 10mA @ 24Vdc
Single Wiring	Module connector : HIF3BA-20D-2.54R
Weight	53g
Module size	12mm x 99mm x 70mm
Environment condition	Refer to '1. Environment Specification'

(1) Check the 2.2.1 Wiring Guide.

2.2. GT-223F Wiring Diagram



Pin No.	Signal Description	Signal Description	Pin No.
1	Output Channel 0	Output Channel 1	2
3	Output Channel 2	Output Channel 3	4
5	Output Channel 4	Output Channel 5	6
7	Output Channel 6	Output Channel 7	8
9	Output Channel 8	Output Channel 9	10
11	Output Channel 10	Output Channel 11	12
13	Output Channel 12	Output Channel 13	14
15	Output Channel 14	Output Channel 15	16
17	Field Power 0V	Field Power 0V	18
19	Common (Field Power 24V)	Common (Field Power 24V)	20

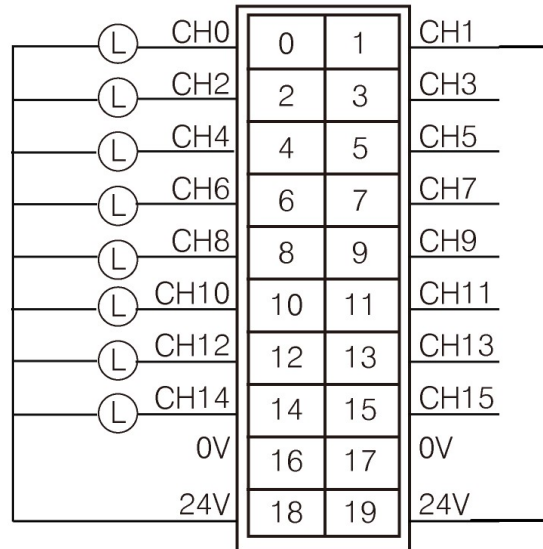
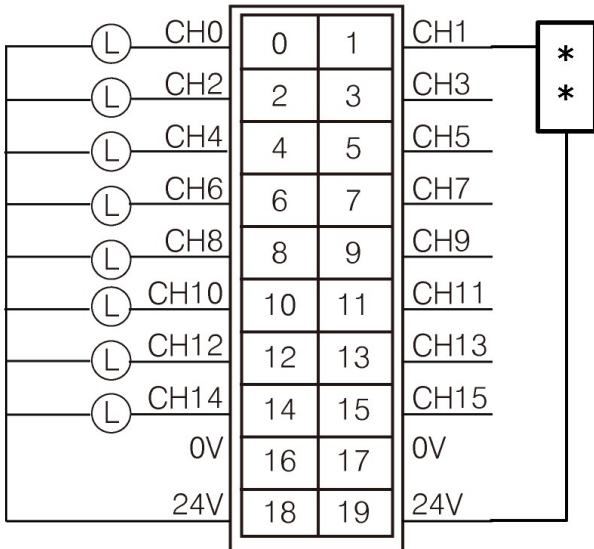
Specification

2.2.1. Wiring Guide

WARNING !

Observe the following instructions for wiring

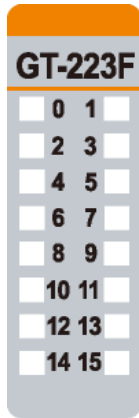
- Observe the maximum output current of the I/O Module. Parts may be damaged.
- Do not connect the input and 24V pins without any load. Parts may be damaged.



Specification

2.3. GT-223F LED Indicator

2.3.1. LED Indicator



LED No.	LED Function / Description	LED Color
0	OUTPUT Channel 0	Green
1	OUTPUT Channel 1	Green
2	OUTPUT Channel 2	Green
3	OUTPUT Channel 3	Green
4	OUTPUT Channel 4	Green
5	OUTPUT Channel 5	Green
6	OUTPUT Channel 6	Green
7	OUTPUT Channel 7	Green
8	OUTPUT Channel 8	Green
9	OUTPUT Channel 9	Green
10	OUTPUT Channel 10	Green
11	OUTPUT Channel 11	Green
12	OUTPUT Channel 12	Green
13	OUTPUT Channel 13	Green
14	OUTPUT Channel 14	Green
15	OUTPUT Channel 15	Green

2.3.2. Channel Status LED

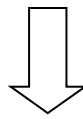
Status	LED	To indicate
Not Signal	Off	Normal Operation
On Signal	Green	Normal Operation

Specification

2.4. Mapping data into the image table

- Output Image Value

Bit No	Bit7	Bit6	Bit5	Bit4	Bit3	Bit2	Bit1	Bit0
Byte0	D7	D6	D5	D4	D3	D2	D1	D0
Byte1	D15	D14	D13	D12	D11	D10	D9	D8



- Output Module Data

D7	D6	D5	D4	D3	D2	D1	D0
D15	D14	D13	D12	D11	D10	D9	D8

2.5. Parameter Data

- **Valid Parameter length: 4 Bytes**
- **Parameter Data**

Bit No	Bit7	Bit6	Bit5	Bit4	Bit3	Bit2	Bit1	Bit0
Byte0	Fault Action (ch0~ch7) 0: Fault value, 1:Hold last state							
Byte1	Fault Action (ch8~ch15) 0: Fault value, 1:Hold last state							
Byte2	Fault value (ch0~ch7) 0:Off, 1:On							
Byte3	Fault value (ch8~ch15) 0:Off, 1:On							