

FnIO G-Series

GT-2788

GT-2788(8 Points, Relay Output Terminal, 110Vdc/ac, 1A)

Specification

Table of Contents

Table of Contents.....2

History.....3

1.Environment Specification.....4

2.GT-2788 (8 Points, Relay Output Terminal, 110Vdc/ac, 1A).....5

 2.1.GT-2788 Specification.....5

 2.2.GT-2788 Wiring Diagram.....6

 2.3.GT-2788 LED Indicator.....7

 2.3.1.LED Indicator.....7

 2.3.2.Channel Status LED.....7

 2.4.Mapping Data into the Image Table.....8

 2.5.Parameter Data.....9

Specification

History

REV.	PAGES	REMARKS	DATE	Editor
Preliminary		Preliminary	May 21, 2019	Seokhyun, Jun
1.01	5	Specification Revision	Mar 13, 2020	Soyeong, Park
1.02	4,5	Shock, Vibration specification changed General specification added(UL)	04.20.2020	JY BAE
1.03	6	Changed Diagram	Apr 03, 2023	Soyeong, Park

Specification

1. Environment Specification

Environmental specification	
Operating Temperature	-40°C ~60°C
UL Temperature	-20°C ~60°C
Storage Temperature	-40°C ~85°C
Relative Humidity	5% ~ 90% non-condensing
Mounting	DIN rail
General specification	
Shock Operating	IEC 60068-2-27 : 2008/15g, 11ms
Vibration Resistance	Based on IEC 60068-2-6 DNVGL-CG-0039 : 2016/6 Vibration Class B, 4g
Industrial Emissions	EN 61000-6-4 : 2007 +A1:2011
Industrial Immunity	EN 61000-6-2 : 2005
Installation Position	Vertical and horizontal installation is available.
Product Certifications	CE, UL

Specification

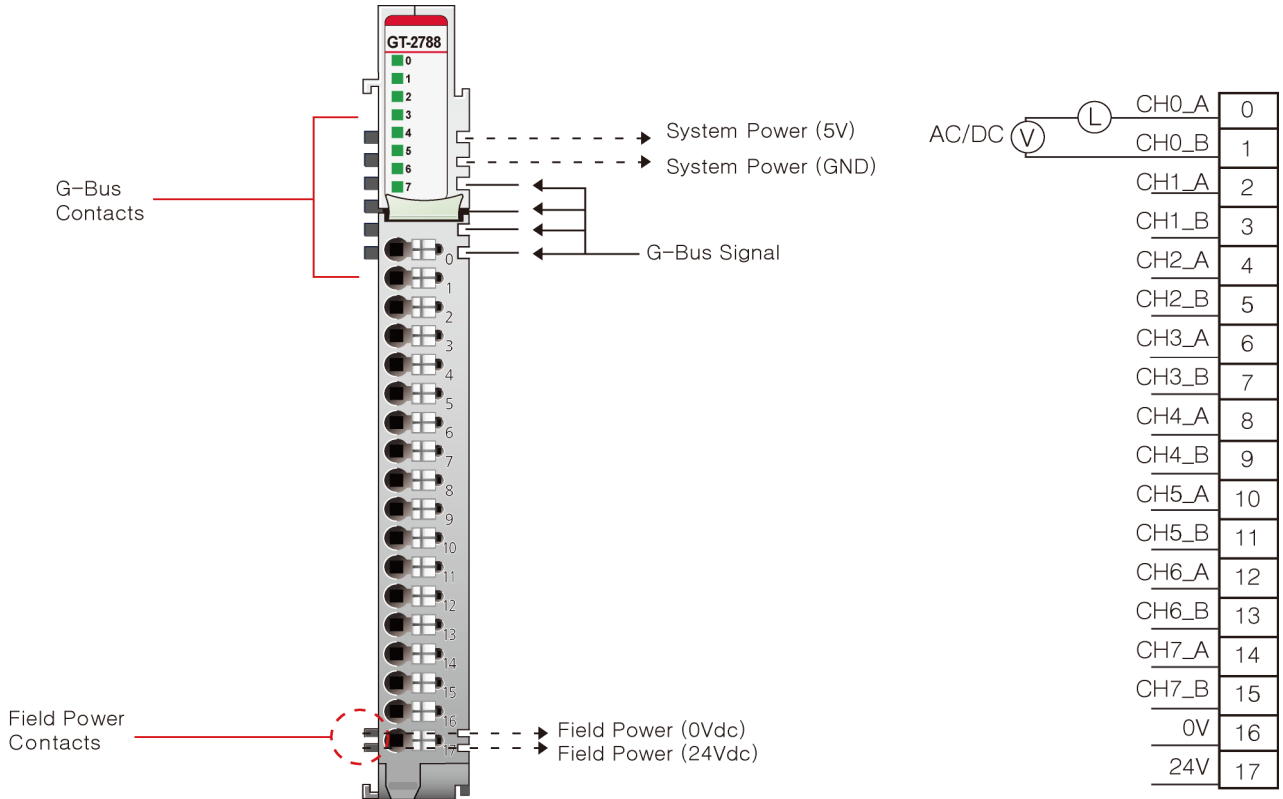
2. GT-2788 (8 Points, Relay Output Terminal, 110Vdc/ac, 1A)

2.1. GT-2788 Specification

Output specification	
Output per module	8 points, bi-directional
Indicators	8 green output state
Relay type	MOS Relay (solid state relay)
Output voltage range (load dependent)	110Vac @ 1A resistive 110Vdc @ 1A resistive
Output delay time (resistive load)	Max. AC/DC : 110V OFF to ON : Max. 1 ms @ 110Vdc ON to OFF : Max. 3.5 ms @ 110Vdc OFF to ON : Max. 1 ms @ 110Vac ON to OFF : Max. 3.5 ms @ 110Vac
Output current rating	Max. 1A per channel 60°C : 0.8A per channel 50°C : 1A per channel
Frequency range (Vac)	47 ~ 63Hz
Open-state leakage current	Max. 10uA
Common type	8 points / 2 COM
General specification	
Power dissipation	Max. 130mA @ 5Vdc
Isolation	I/O to Logic : photocoupler isolation
UL field power	Supply voltage : 24Vdc nominal, Class 2
Field power	Supply Voltage : 24Vdc nominal Voltage Range : 15~30Vdc (AC Power Not Used)
Wiring	I/O Cable Max. 0.75mm ² (AWG 18)
Weight	63g
Module size	12mm x 109mm x 70mm
Environment condition	Refer to 'Environment Specification'

Specification

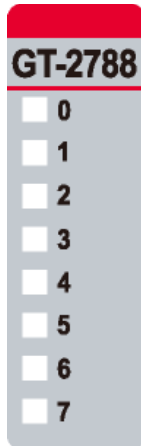
2.2. GT-2788 Wiring Diagram



Pin No.	Signal Description
0	Output Channel 0 A
1	Output Channel 0 B
2	Output Channel 1 A
3	Output Channel 1 B
4	Output Channel 2 A
5	Output Channel 2 B
6	Output Channel 3 A
7	Output Channel 3 B
8	Output Channel 4 A
9	Output Channel 4 B
10	Output Channel 5 A
11	Output Channel 5 B
12	Output Channel 6 A
13	Output Channel 6 B
14	Output Channel 7 A
15	Output Channel 7 B
16	Field Power 0V
17	Field Power 24V

2.3. GT-2788 LED Indicator

2.3.1. LED Indicator



LED No.	LED Function / Description	LED Color
0	OUTPUT Channel 0	Green
1	OUTPUT Channel 1	Green
2	OUTPUT Channel 2	Green
3	OUTPUT Channel 3	Green
4	OUTPUT Channel 4	Green
5	OUTPUT Channel 5	Green
6	OUTPUT Channel 6	Green
7	OUTPUT Channel 7	Green

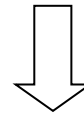
2.3.2. Channel Status LED

Status	LED	To indicate
Not Signal	Off	No Output Signal
On Signal	Green	Normal Operation

2.4. Mapping Data into the Image Table

- Output Image Value

Bit No	Bit7	Bit6	Bit5	Bit4	Bit3	Bit2	Bit1	Bit0
Byte0	D7	D6	D5	D4	D3	D2	D1	D0



- Output Module Data

D7	D6	D5	D4	D3	D2	D1	D0
----	----	----	----	----	----	----	----

2.5. Parameter Data

- Valid Parameter length : 2Byte
- Parameter Data

Offset	Decimal Bit	Description	Default Value
0	00-07	Fault Action(0~7) 0 : Fault Value, 1 : Hold last state	0 (Fault Value)
1	00-07	Fault Value (0~7) 0 : off, 1 : on	0 (off)