

# **FnIO G-Series**

## **GT-2738**

**GT-2738(8 Points, Relay Output Terminal, 240Vdc/ac, 0.5A)**

# Specification

## Table of Contents

[Table of Contents.....2](#)

[History.....3](#)

[1.Environment Specification.....4](#)

[2.GT-2738 \(8 Points, MOS Relay Output Terminal, 240Vdc, 0.5A\).....5](#)

[2.1.GT-2738 Specification.....5](#)

[2.2.GT-2738 Wiring Diagram.....6](#)

[2.3.GT-2738 LED Indicator.....7](#)

[2.3.1.LED Indicator.....7](#)

[2.3.2.Channel Status LED.....7](#)

[2.4.Mapping Data into the Image Table.....8](#)

[2.5.Parameter Data.....9](#)

# Specification

## History

REV.	PAGES	REMARKS	DATE	Editor
Preliminary		Preliminary	May 21, 2019	Seokhyun, Jun
1.01	5	Specification Revision	Mar 13, 2020	Soyeong, Park
1.02	4,5	Shock, Vibration specification changed General specification added(UL)	04.20.2020	JY BAE
1.03	6	Changed Diagram / Signal Description	Apr 03, 2023	Soyeong, Park

# Specification

## 1. Environment Specification

<b>Environmental specification</b>	
Operating Temperature	-40℃~60℃
UL Temperature	-20℃~60℃
Storage Temperature	-40℃~85℃
Relative Humidity	5% ~ 90% non-condensing
Mounting	DIN rail
<b>General specification</b>	
Shock Operating	IEC 60068-2-27 : 2008/15g, 11ms
Vibration Resistance	Based on IEC 60068-2-6 DNVGL-CG-0039 : 2016/6 Vibration Class B, 4g
Industrial Emissions	EN 61000-6-4 : 2007 +A1:2011
Industrial Immunity	EN 61000-6-2 : 2005
Installation Position	Vertical and horizontal installation is available.
Product Certifications	CE, UL

# Specification

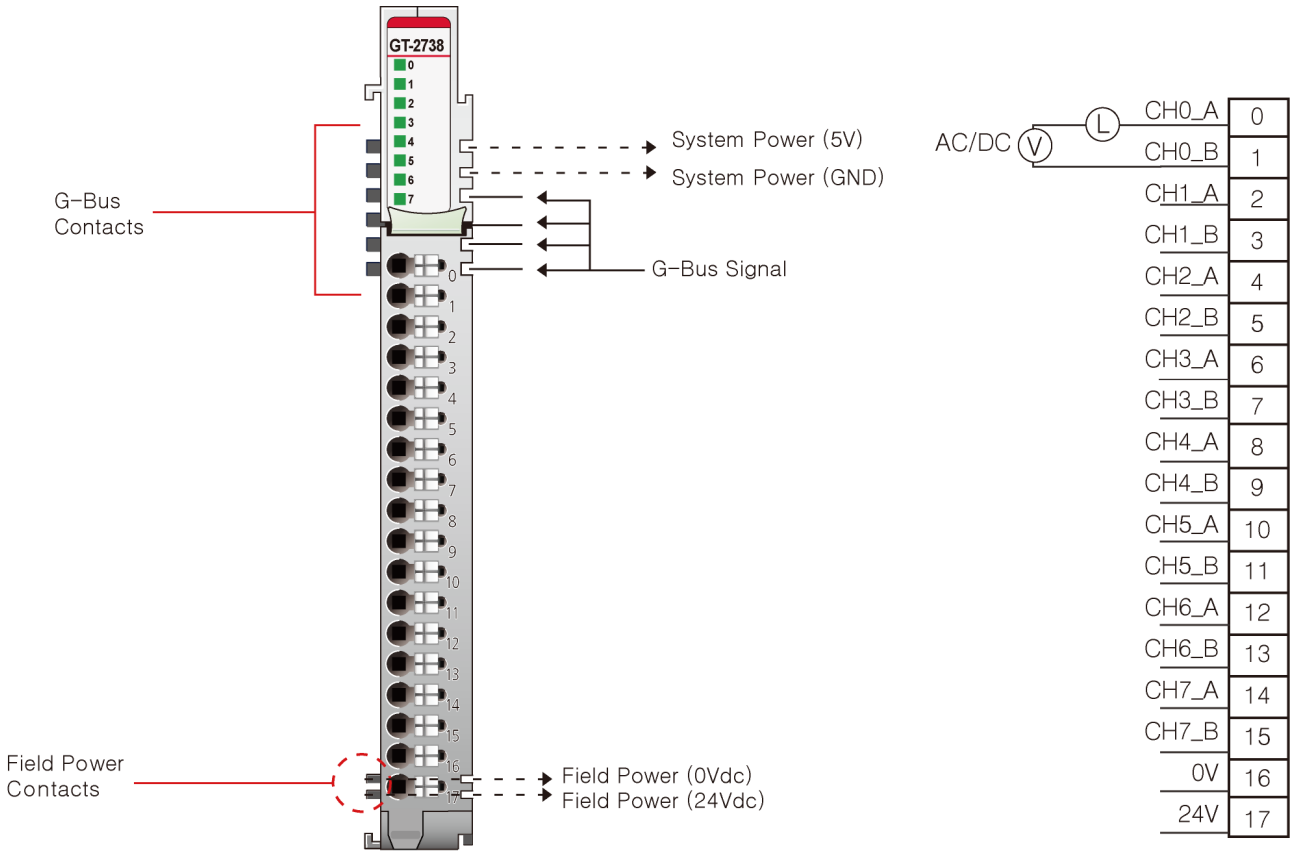
## 2. GT-2738 (8 Points, MOS Relay Output Terminal, 240Vdc, 0.5A)

### 2.1. GT-2738 Specification

Items	Specification
<b>Output specification</b>	
Output per module	8 points, bi-directional
Indicators	8 green output state
Relay type	MOS Relay (solid state relay)
Output voltage range ( load dependent )	240Vac @ 0.5A resistive 240Vdc @ 0.5A resistive
Output delay time (resistive load)	Max. AC/DC : 240V OFF to ON : Max. 0.5ms ON to OFF : Max. 2.5ms
Output current rating	Max. 0.5A per channel
Frequency range ( Vac )	47 ~ 63Hz
Open-state leakage current	Max. 40uA
Common type	8 points / 2 COM
<b>General specification</b>	
Power dissipation	Max. 130mA @ 5Vdc
Isolation	I/O to Logic : photocoupler isolation
UL field power	Supply voltage : 24Vdc nominal, Class 2
Field power	Supply Voltage : 24Vdc Voltage Range : 15 ~ 30Vdc (AC Power Not Used)
Wiring	I/O Cable Max. 0.75mm <sup>2</sup> (AWG 18)
Weight	63g
Module size	12mm x 109mm x 70mm
<b>Environment condition</b>	<b>Refer to 'Environment Specification'</b>

# Specification

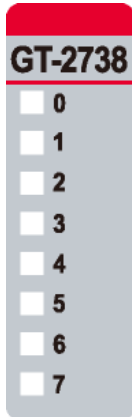
## 2.2. GT-2738 Wiring Diagram



Pin No.	Signal Description
0	Output Channel 0 A
1	Output Channel 0 B
2	Output Channel 1 A
3	Output Channel 1 B
4	Output Channel 2 A
5	Output Channel 2 B
6	Output Channel 3 A
7	Output Channel 3 B
8	Output Channel 4 A
9	Output Channel 4 B
10	Output Channel 5 A
11	Output Channel 5 B
12	Output Channel 6 A
13	Output Channel 6 B
14	Output Channel 7 A
15	Output Channel 7 B
16	Field Power 0V
17	Field Power 24V

## 2.3. GT-2738 LED Indicator

### 2.3.1. LED Indicator



LED No.	LED Function / Description	LED Color
0	OUTPUT Channel 0	Green
1	OUTPUT Channel 1	Green
2	OUTPUT Channel 2	Green
3	OUTPUT Channel 3	Green
4	OUTPUT Channel 4	Green
5	OUTPUT Channel 5	Green
6	OUTPUT Channel 6	Green
7	OUTPUT Channel 7	Green

### 2.3.2. Channel Status LED

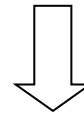
Status	LED	To indicate
Not Signal	Off	No Output Signal
On Signal	Green	Normal Operation

# Specification

## 2.4. Mapping Data into the Image Table

- Output Image Value

Bit No	Bit7	Bit6	Bit5	Bit4	Bit3	Bit2	Bit1	Bit0
Byte0	D7	D6	D5	D4	D3	D2	D1	D0



- Output Module Data

D7	D6	D5	D4	D3	D2	D1	D0
----	----	----	----	----	----	----	----



## 2.5. Parameter Data

- Valid Parameter length : 2Byte
- Parameter Data

Offset	Decimal Bit	Description	Default Value
0	00-07	Fault Action(0~7) 0 : Fault Value, 1 : Hold last state	0 ( Fault Value )
1	00-07	Fault Value (0~7) 0 : off, 1 : on	0 ( off )