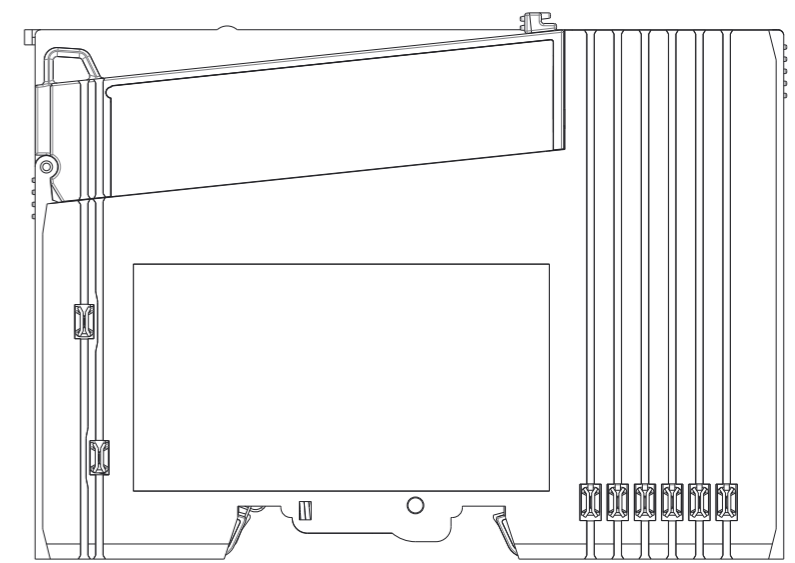
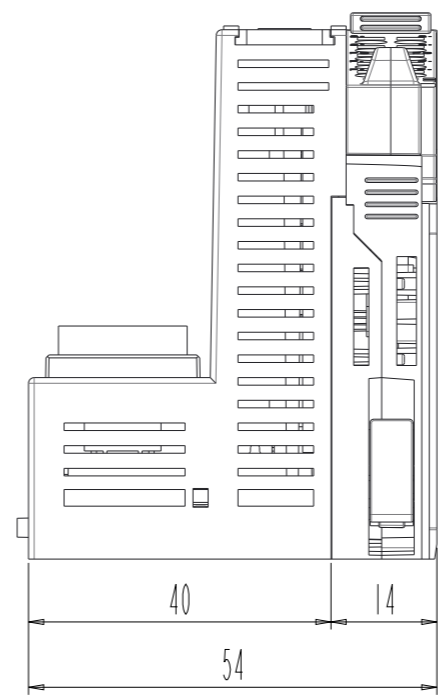
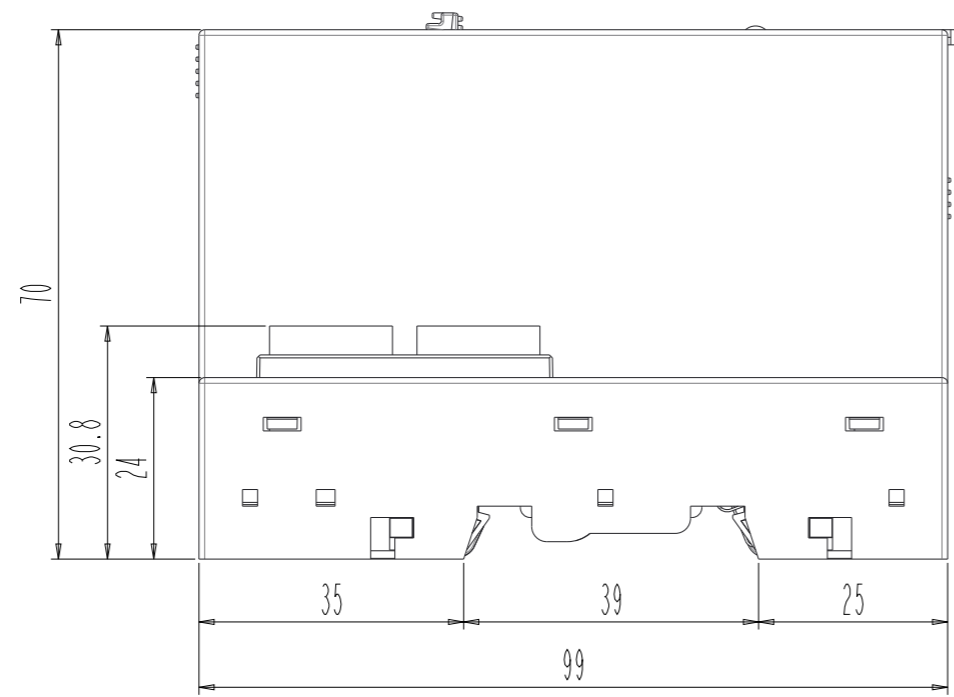
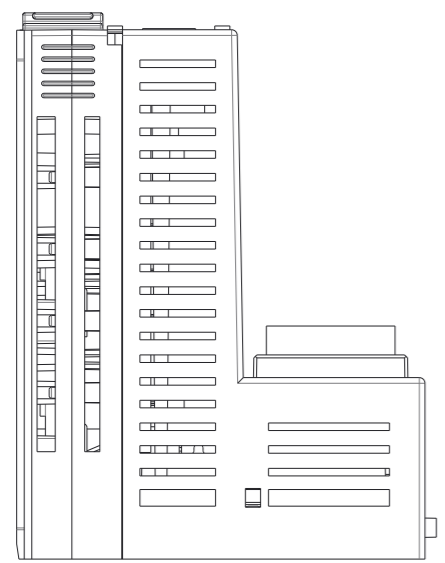
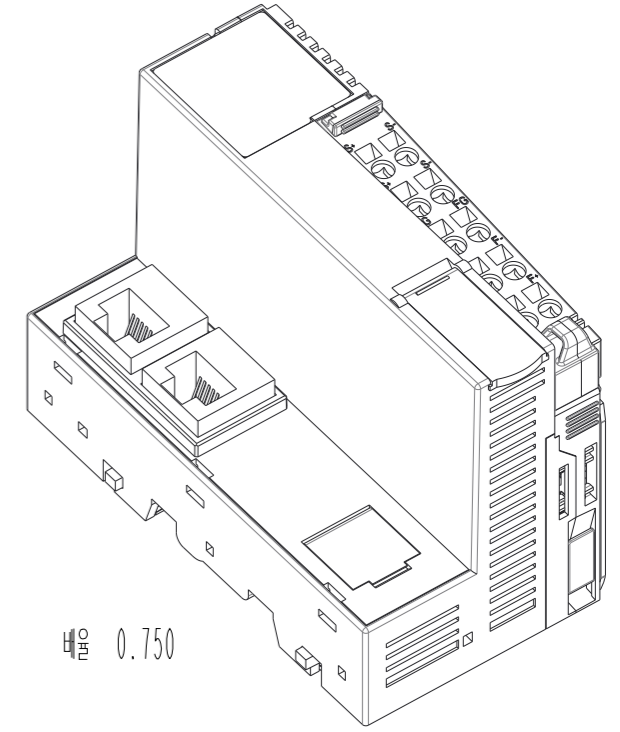
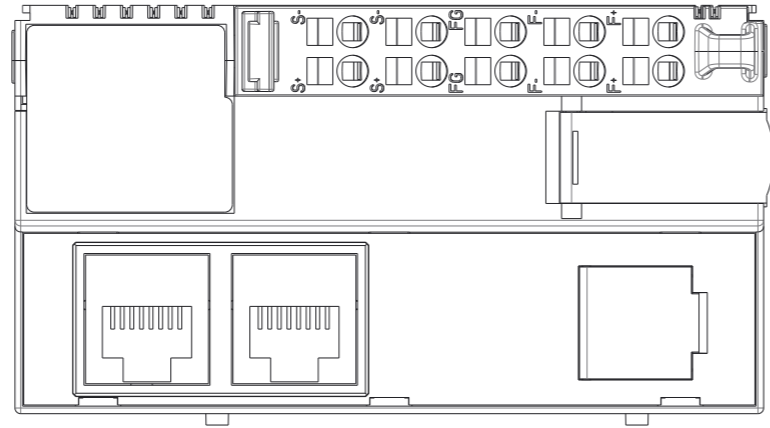


NO.	변경 사항	변경 사유	수정	심사	승인
1					
2					
3					



02	Network Adapter3 Module ASS'Y-3					01	--	--
No'	PART NAME					QT'Y	MATERIAL	COLOR
Unit	M/M	Drawer	MG SEO	DWG No	R(G)N-XXXX	TITLE	FnIO R-Series	
Remarks		Designer	PARK HJ	Scale	1			
Projection		Checker	SH CHOI	Date	2018.07.23			
Dimension	Precision							
0 < dim < 5	± 0.05							
5 < dim < 30	± 0.1							
30 < dim < 100	± 0.2							
100 < dim < 300	± 0.4							
300 < dim	± 0.8							