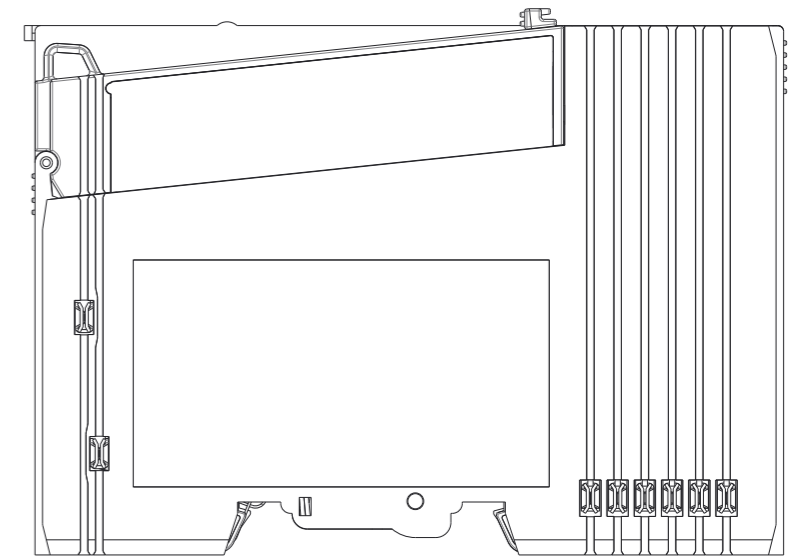
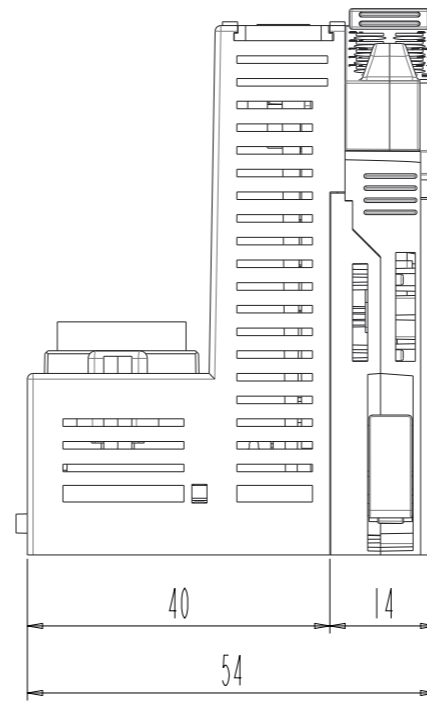
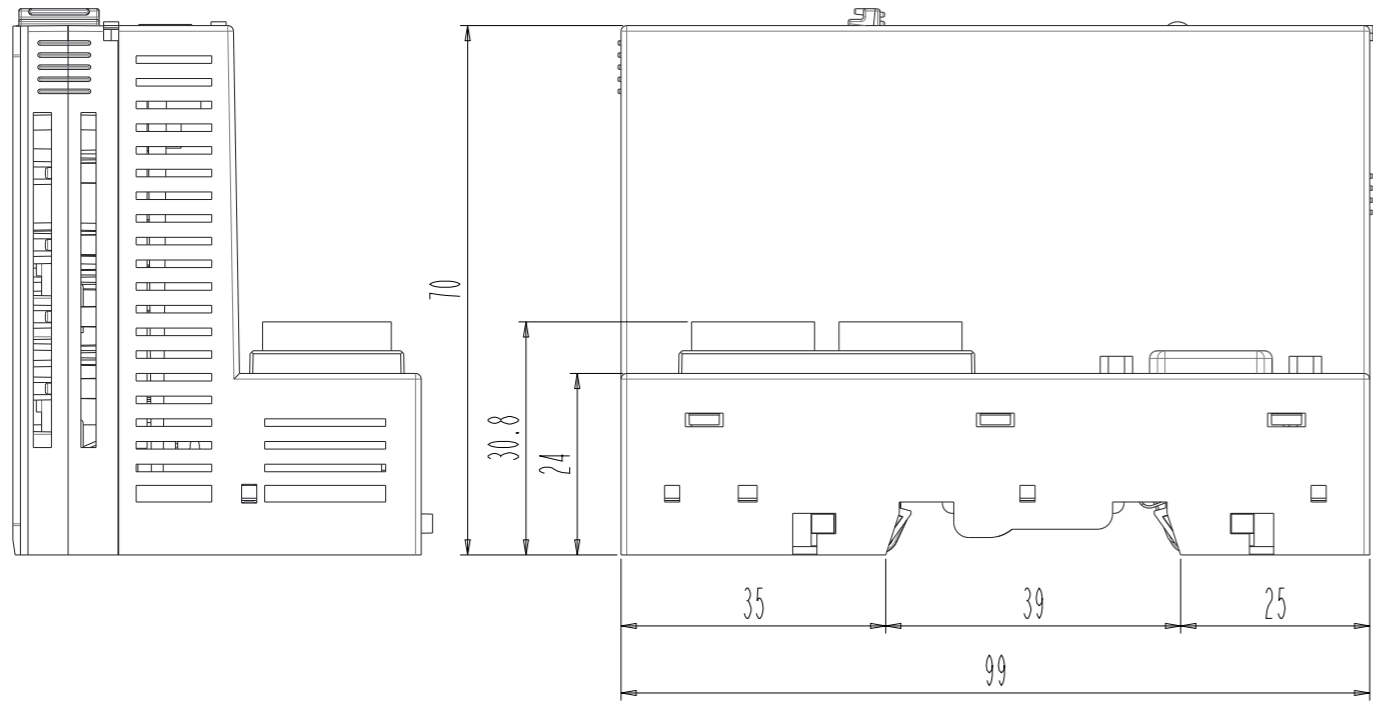
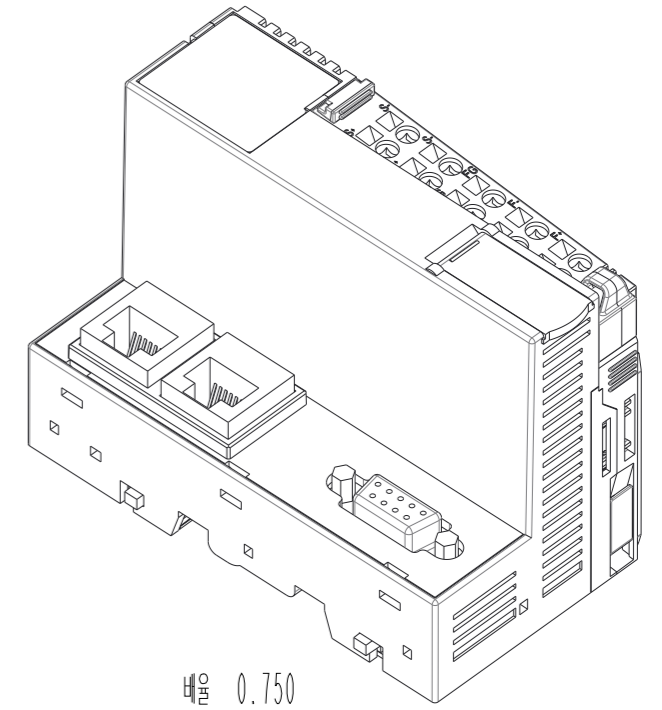
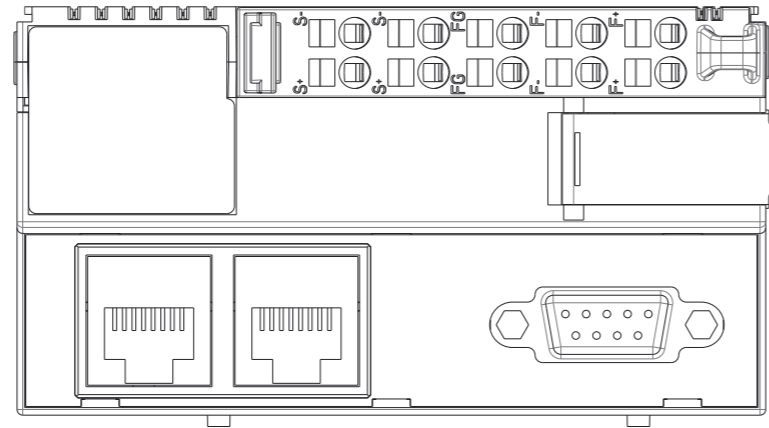


NO.	변경사항	변경사유	수정	심사	승인
1					
2					
3					



Dimension	Precision	Unit	M/M	Drawer	MG SEO	DWG No	R(G)N-XXXX	TITLE	FnIO R-Series
0 < dim < 5	± 0.05	No.							
5 < dim < 30	± 0.1	Part Name							
30 < dim < 100	± 0.2	QTY							
100 < dim < 300	± 0.4	MATERIAL							
300 < dim	± 0.8	COLOR							
		Remarks		Designer	PARK HJ	Scale	1		
		Projection	☉	Checker	SH CHOI	Date	2018.07.23		

