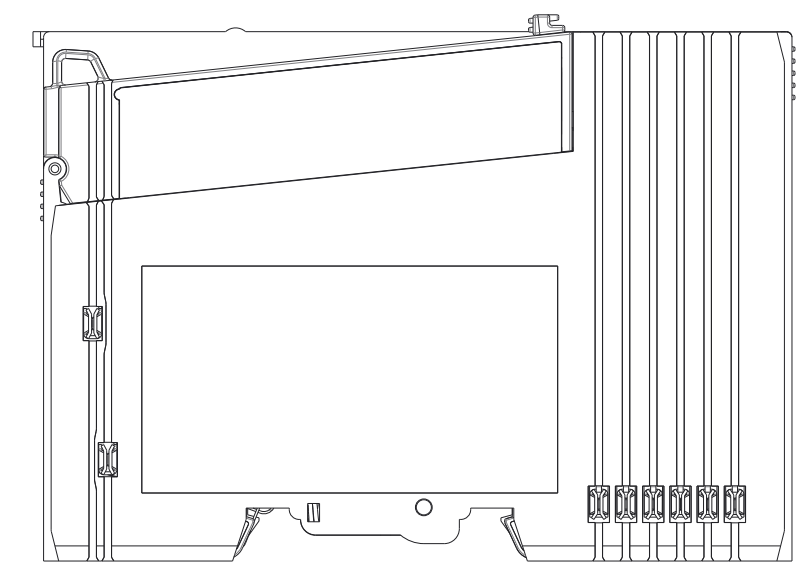
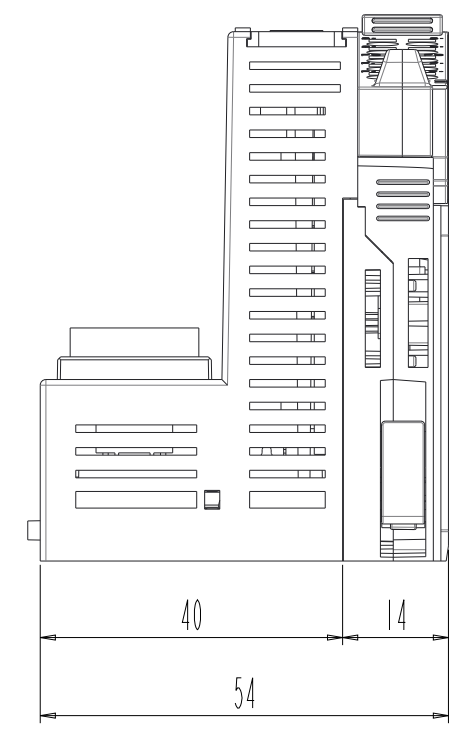
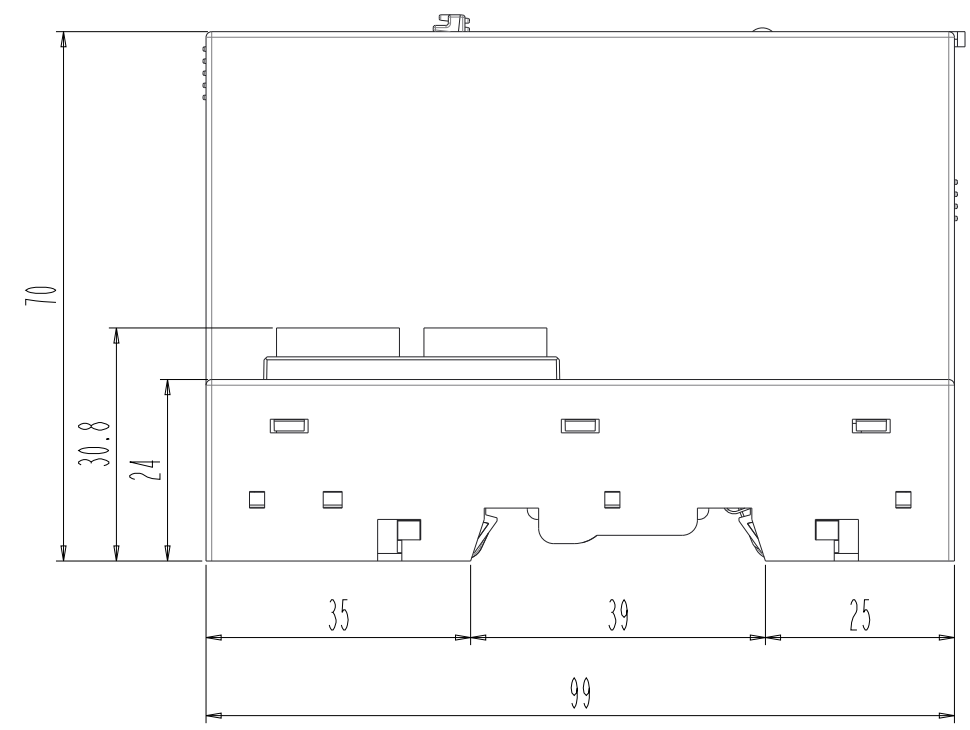
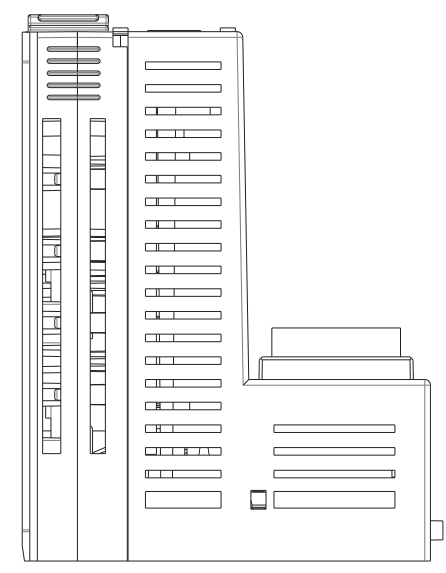
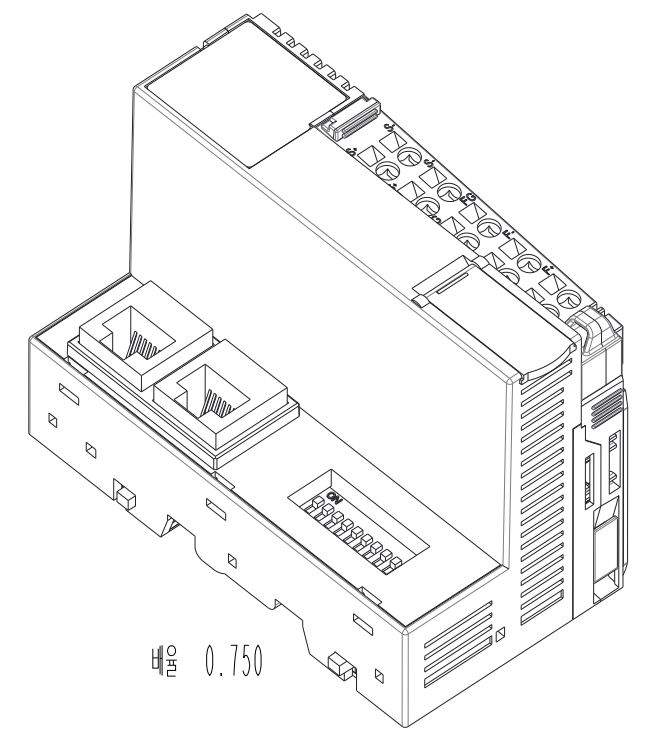
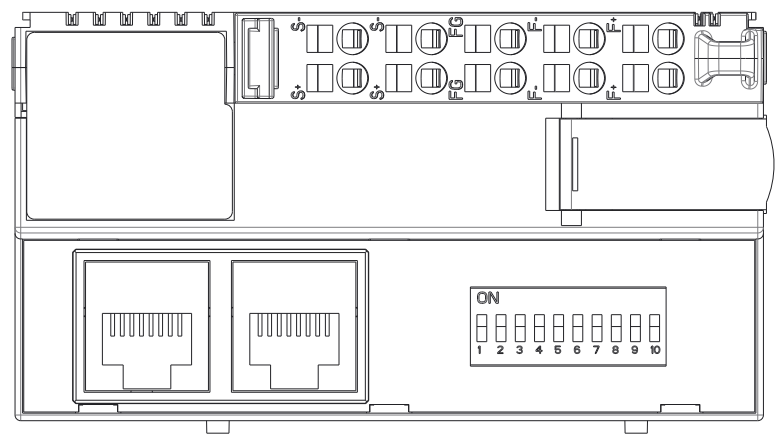


NO.	변경사항	변경사유	수정	심사	승인
1					
2					
3					



Dimension	Precision	Unit	M/M	Drawer	MG SEO	DWG No	R(G)N-XXXX	TITLE	FniO R-Series		
0 < dim < 5	± 0.05	Remarks	Projection	Designer	PARK HJ	Scale	I	2018.07.23			
5 < dim < 30	± 0.1										
30 < dim < 100	± 0.2										
100 < dim < 300	± 0.4										
300 < dim	± 0.8										
		04	Network Adapter3 Module ASS'Y-4				01	--	--		
		No'	PART NAME				QT'Y	MATERIAL	COLOR		
		Checker	SH CHOI				Date				