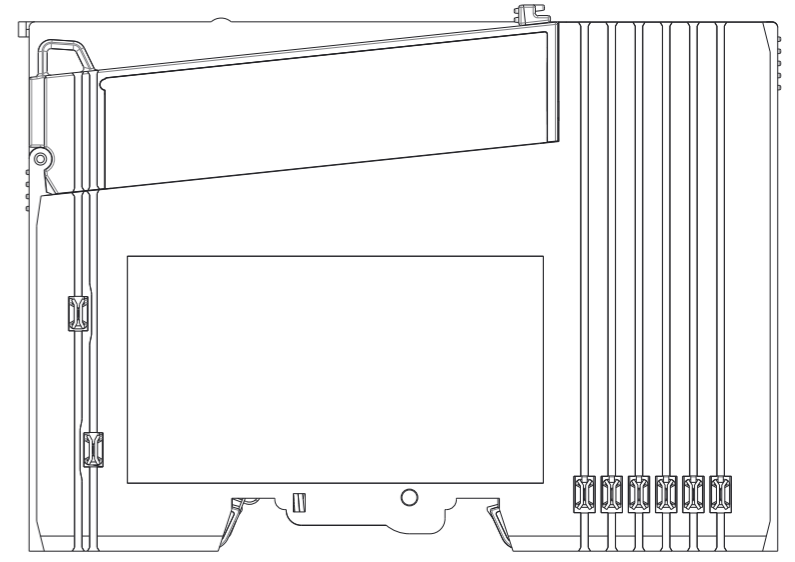
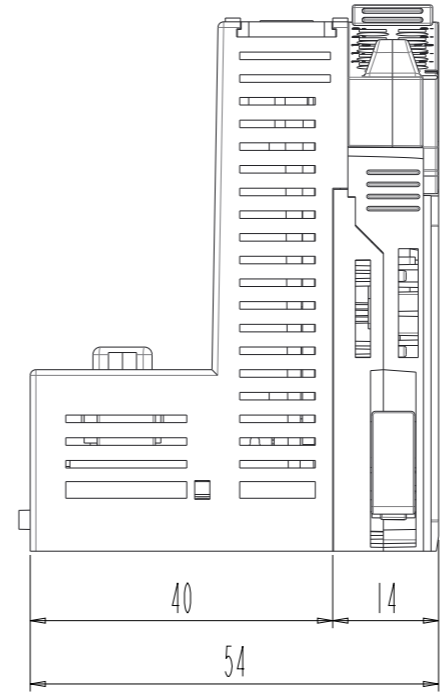
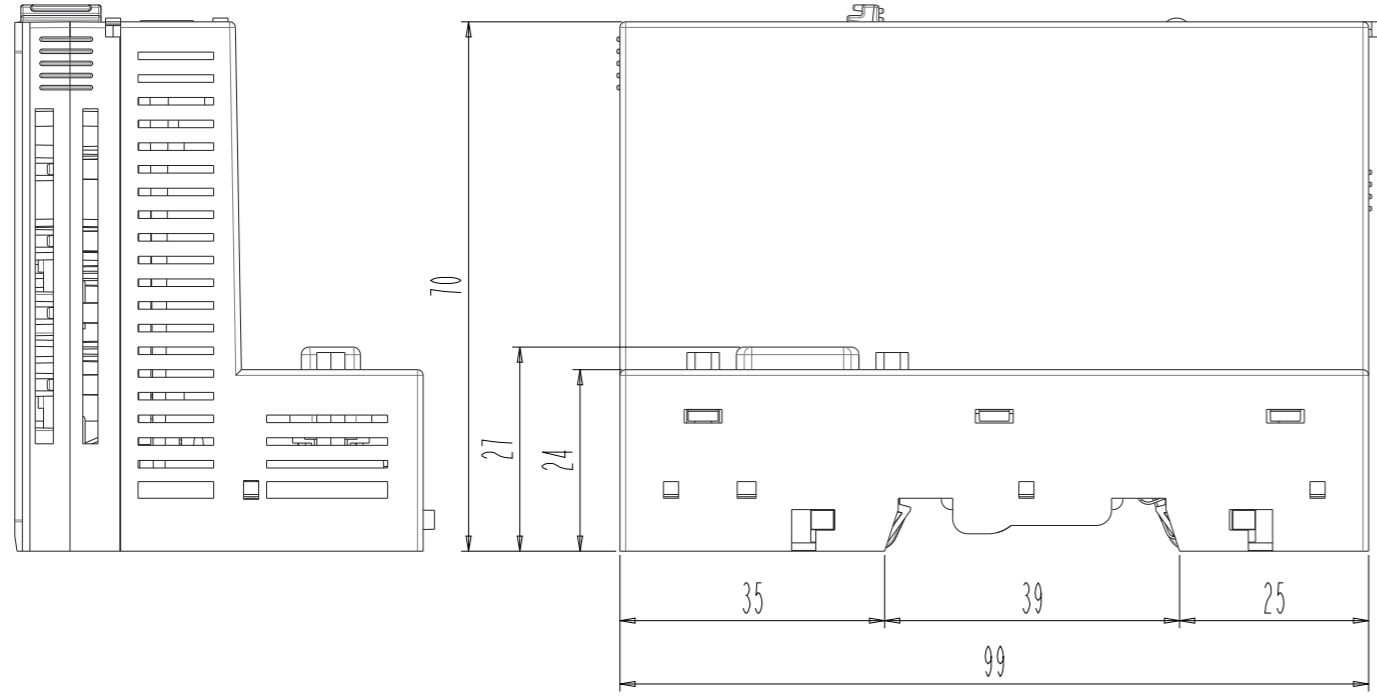
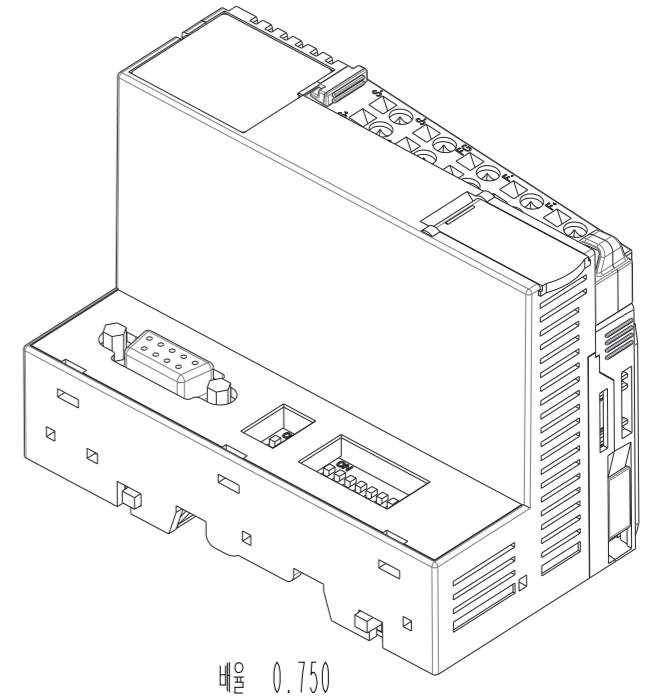
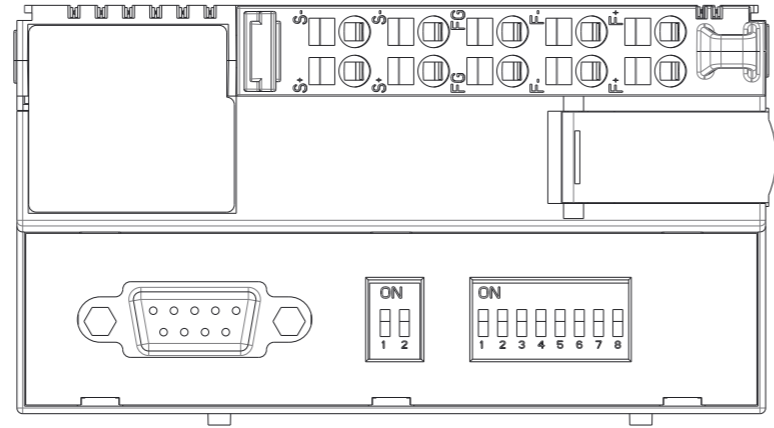


NO.	변경 사항	변경 사유	수정	심사	승인
1					
2					
3					



Dimension	Precision	Unit	M/M	Drawer	MG SEO	DWG No	R(G)N-XXXX	TITLE	FnIO R-Series	
0 < dim < 5	± 0.05	No.	Network Adapter3 Module ASS'Y-1			01	--	--		
5 < dim < 30	± 0.1	PART NAME				QT'Y	MATERIAL	COLOR		
30 < dim < 100	± 0.2	Remarks		Designer	PARK HJ	Scale	1			
100 < dim < 300	± 0.4	Projection		Checker	SH CHOI	Date	2018.07.23			
300 < dim	± 0.8									