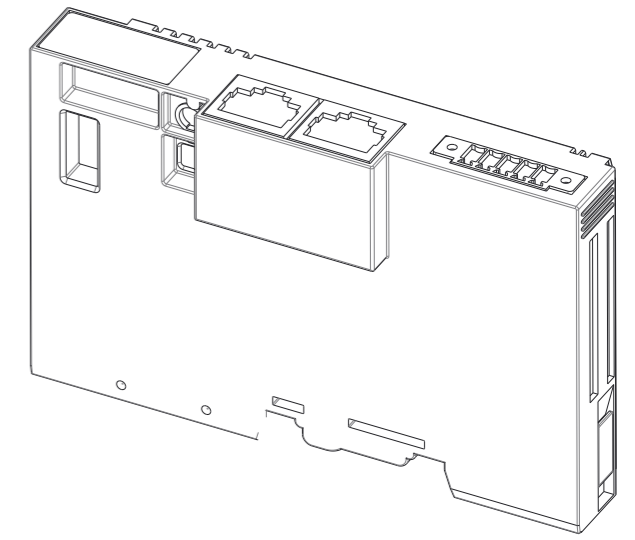
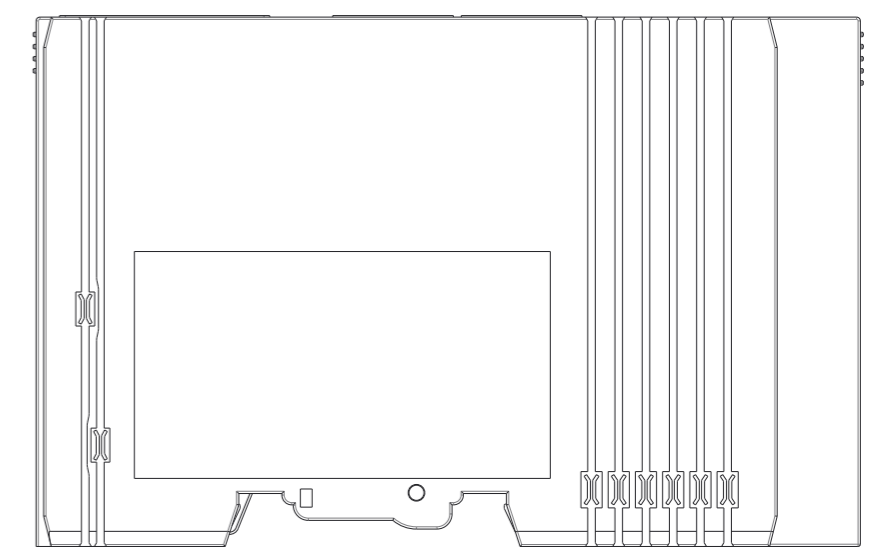
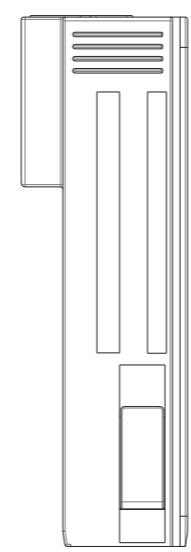
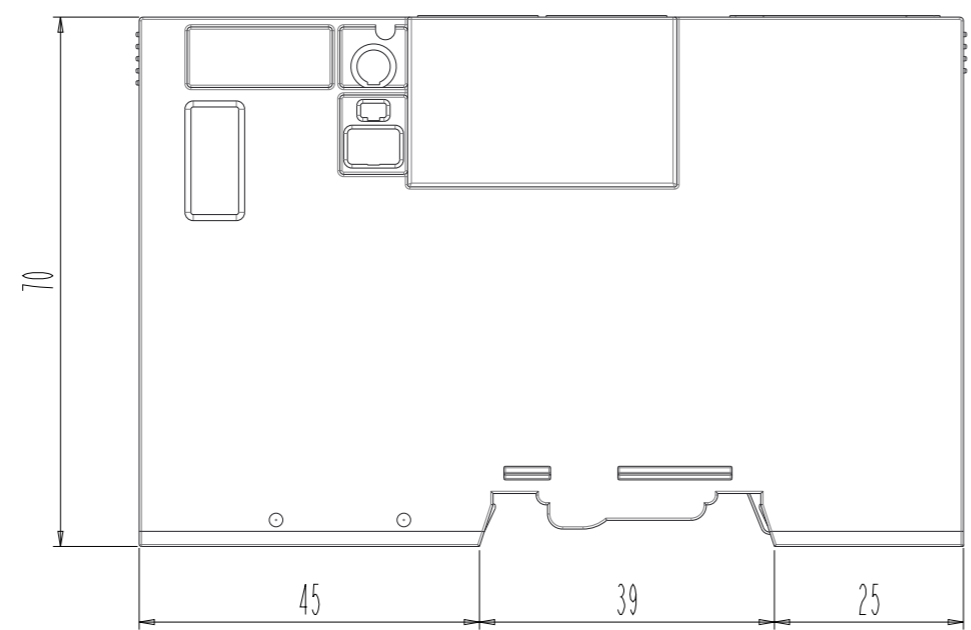
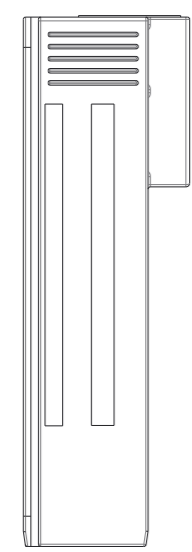
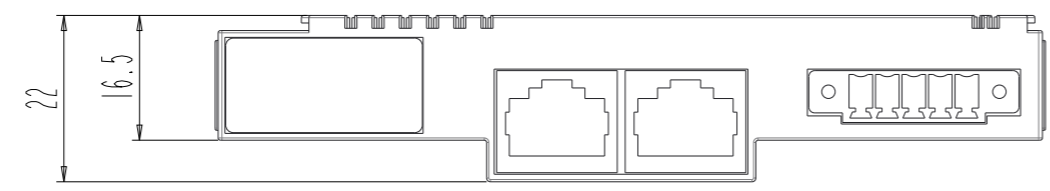


NO.	변경사항	변경사유	수정	심사	승인
1					
2					
3					



비율 0.750



Dimension	Precision
0 < dim < 5	± 0.05
5 < dim < 30	± 0.1
30 < dim < 100	± 0.2
100 < dim < 300	± 0.4
300 < dim	± 0.8

01	FnIO G-Series Economic Module ASS'Y(Rev:1.00)				01	--	--
No'	PART NAME				QTY	MATERIAL	COLOR
Unit	M/M	Drawer	MG SEO	DWG No	GL-XXXX	TITLE	FnIO G-Series
Remarks		Designer	MG SEO	Scale	1:1		
Projection		Checker	MG YEO	Date	2020.01.16		